

MATERIAL FINISHES

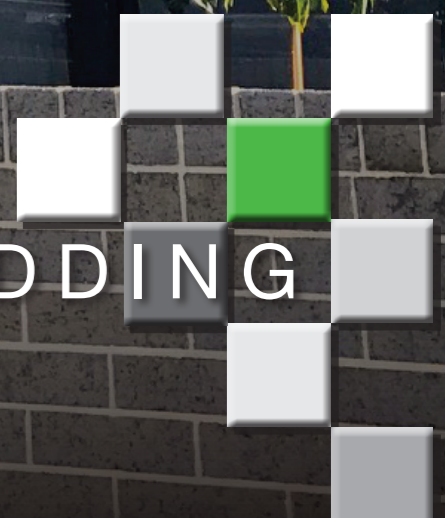
- Full Colorbond Range
- Colorbond Contemporary
- Colorbond Classic
- Colorbond Metallic
- Colorbond Matte
- Colorbond Ultra
- Corten
- Aluminium
- Stainless Steel
- Zinclaume
- Galvanised

UNLIMITED
CLADDING
FOR ALL YOUR ROOFING SUPPLIES

P: 03 5977 8860 • **M:** 0452 120 304
E: orders@unlimitedroofing.com.au
W: www.unlimitedroofing.com.au



UNLIMITED CLADDING





TRADITIONAL TECHNIQUE |
MODERN LOOK

CURVED OR COMPLEX SHAPES

The Standing Seam System can be used both as a roof and façade covering technique.

Long straight definitive lines coupled with flat seamless trays are ideal for large roof surfaces and curved or complex shapes.

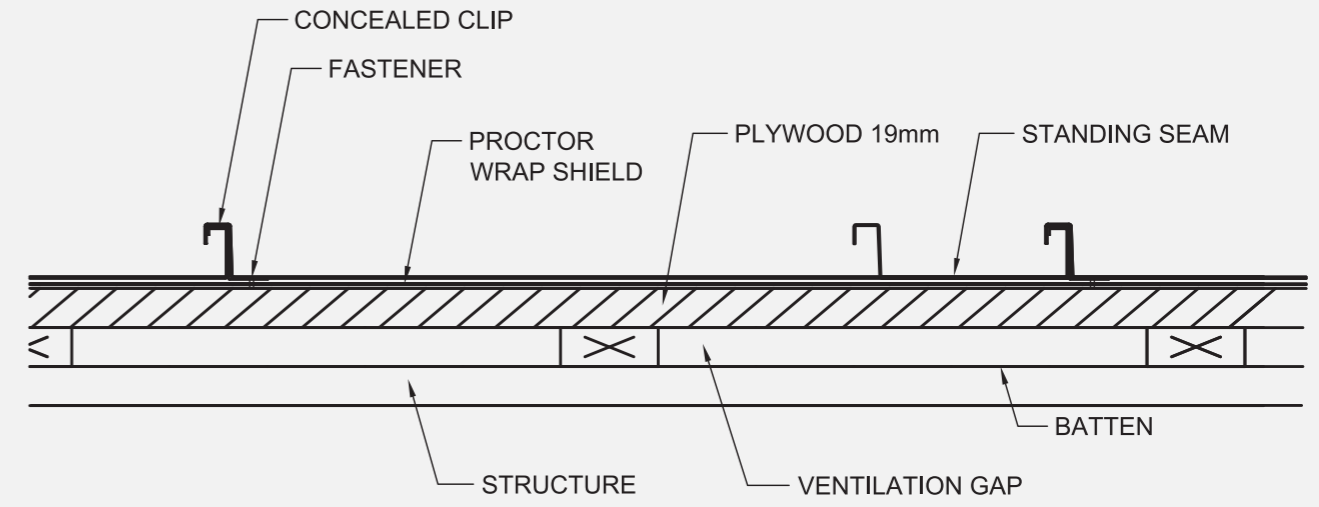
Light weight and ease of installation make this system an economical solution.

RECOMMENDED LENGTH

500mm - 6 metres

STANDARD WIDTHS

PAN 250 - 320



TECHNICAL SUPPORT

Our technical consultants and design team will work closely with you to implement your designs.

From layouts and plans through to installation details.

QUALITY

Unlimited Cladding are dedicated to the quality of your finished product.

We take great care to ensure that your panel system arrives in the same high quality state as it left our premises.