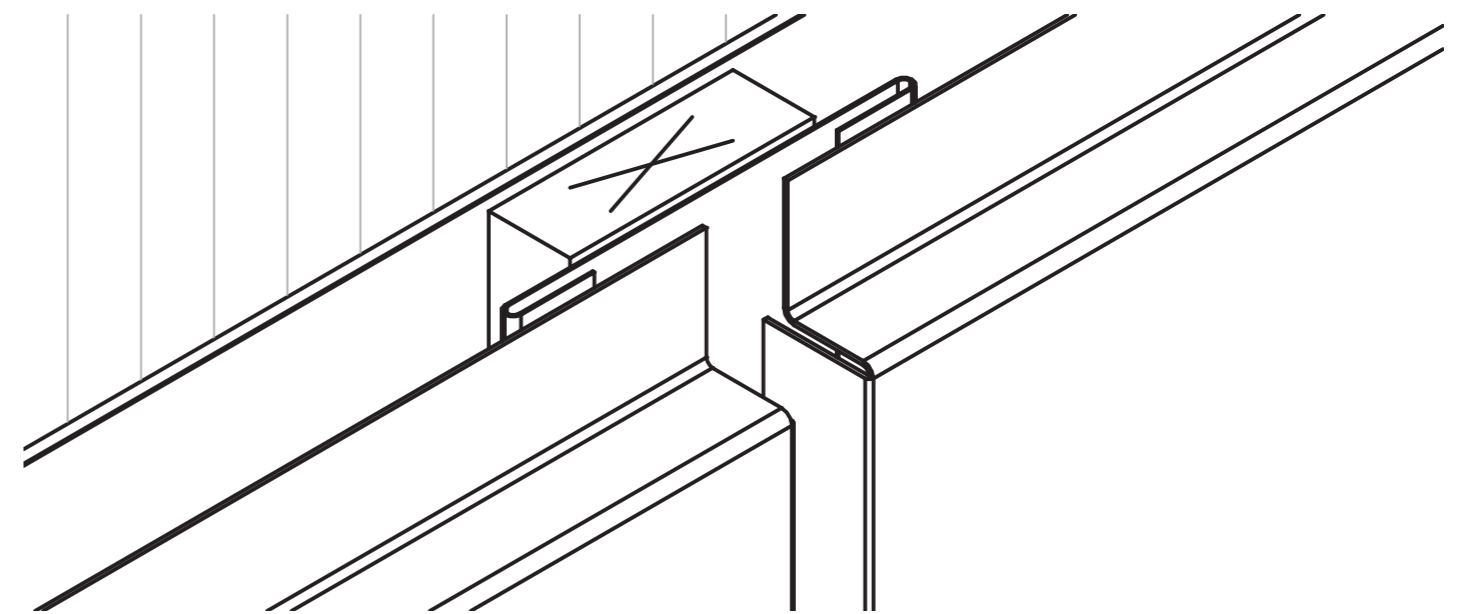
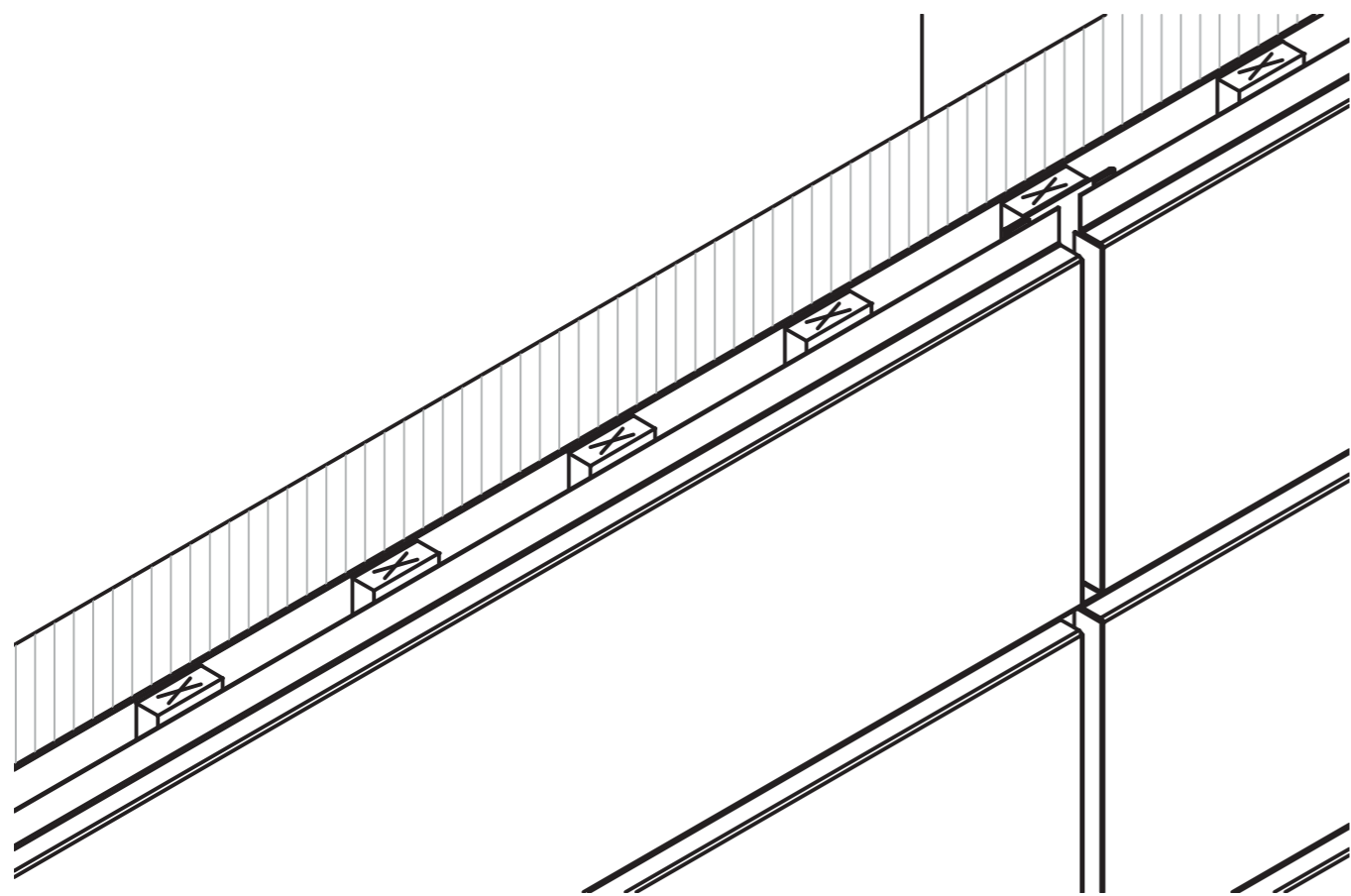
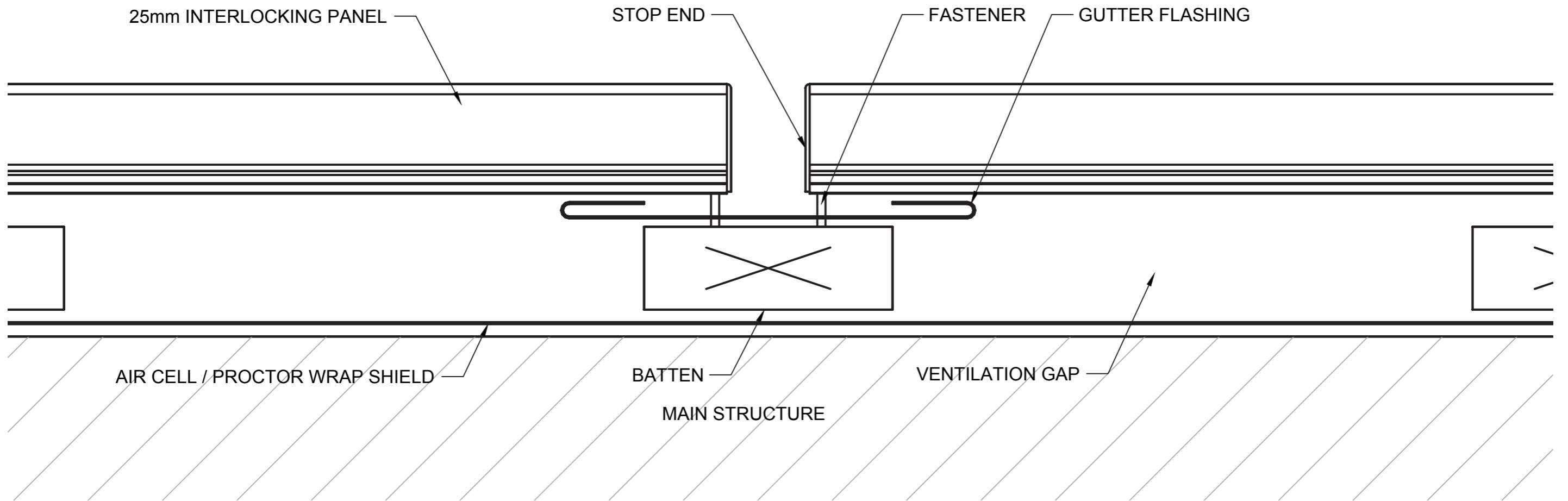


# INTERLOCKING PANEL DETAIL





**PANEL TRANSITION  
STOP ENDS**

STOP END

PUSH TRIM

FASTENER

25mm INTERLOCKING PANEL

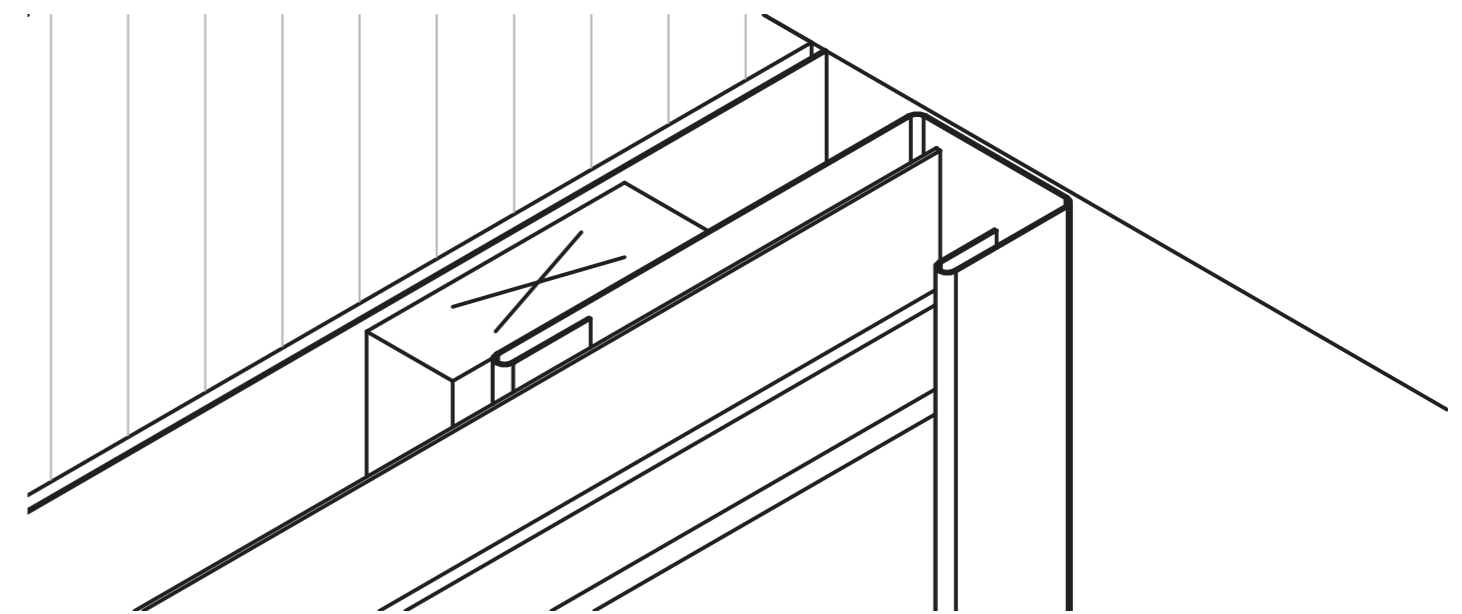
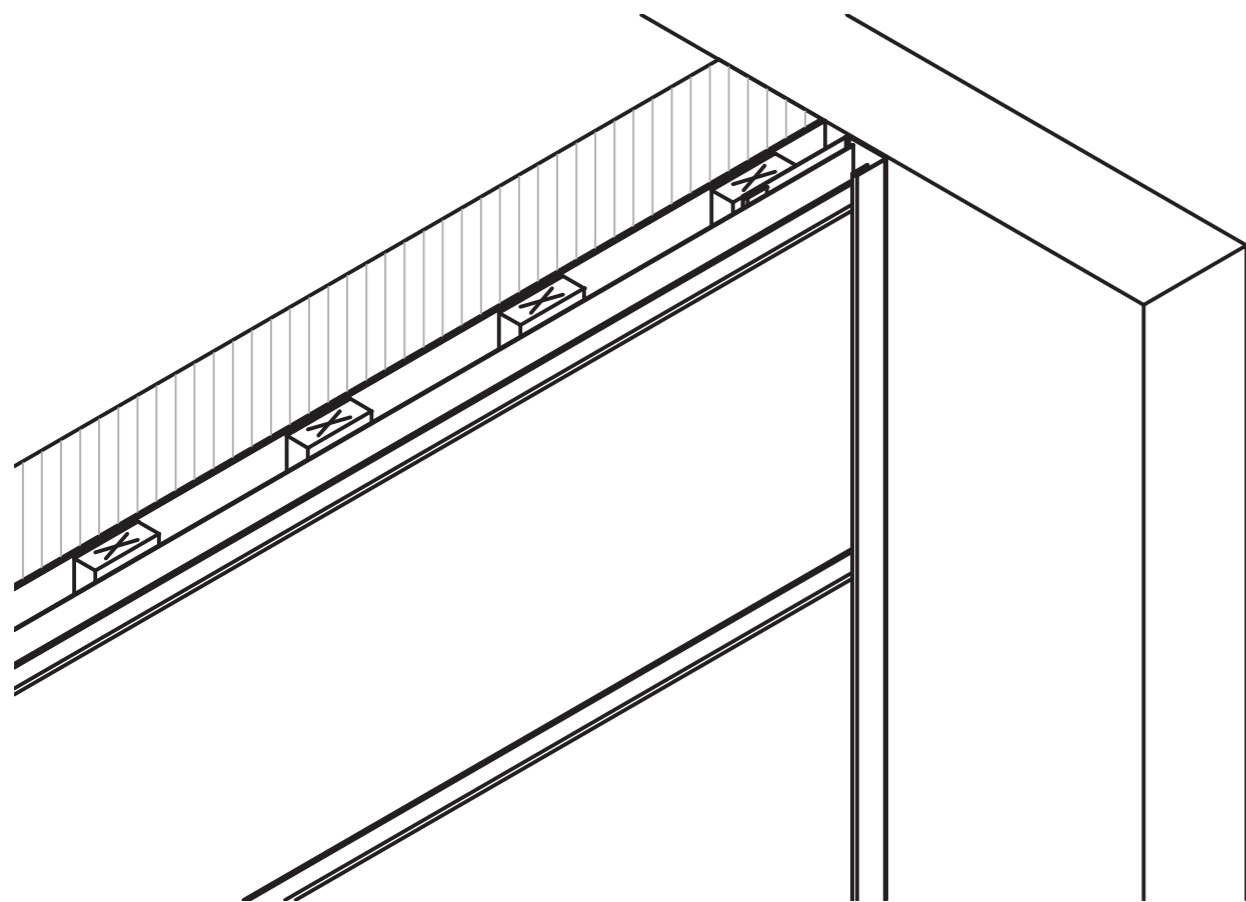
WALL

AIR CELL / PROCTOR WRAP SHIELD

MAIN STRUCTURE

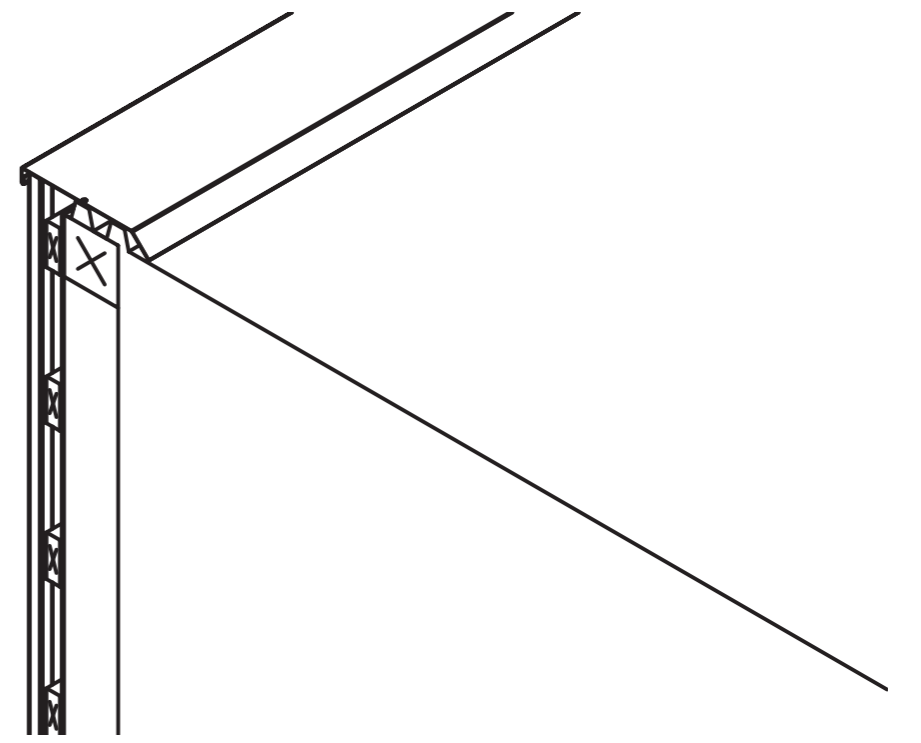
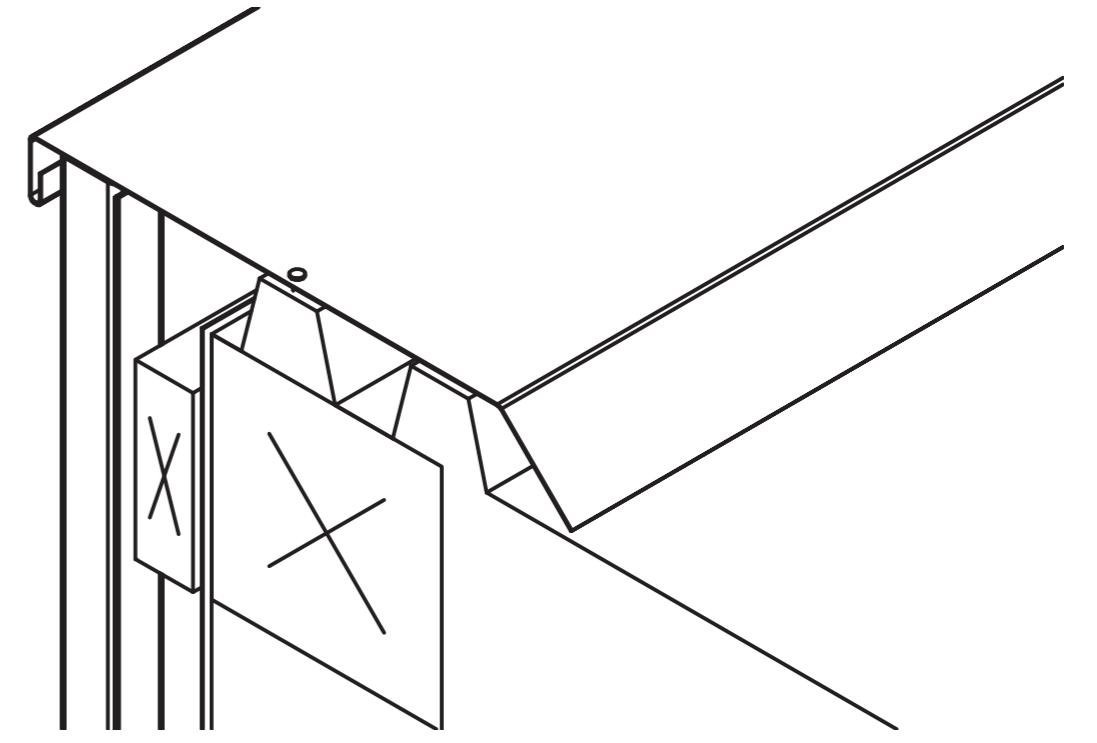
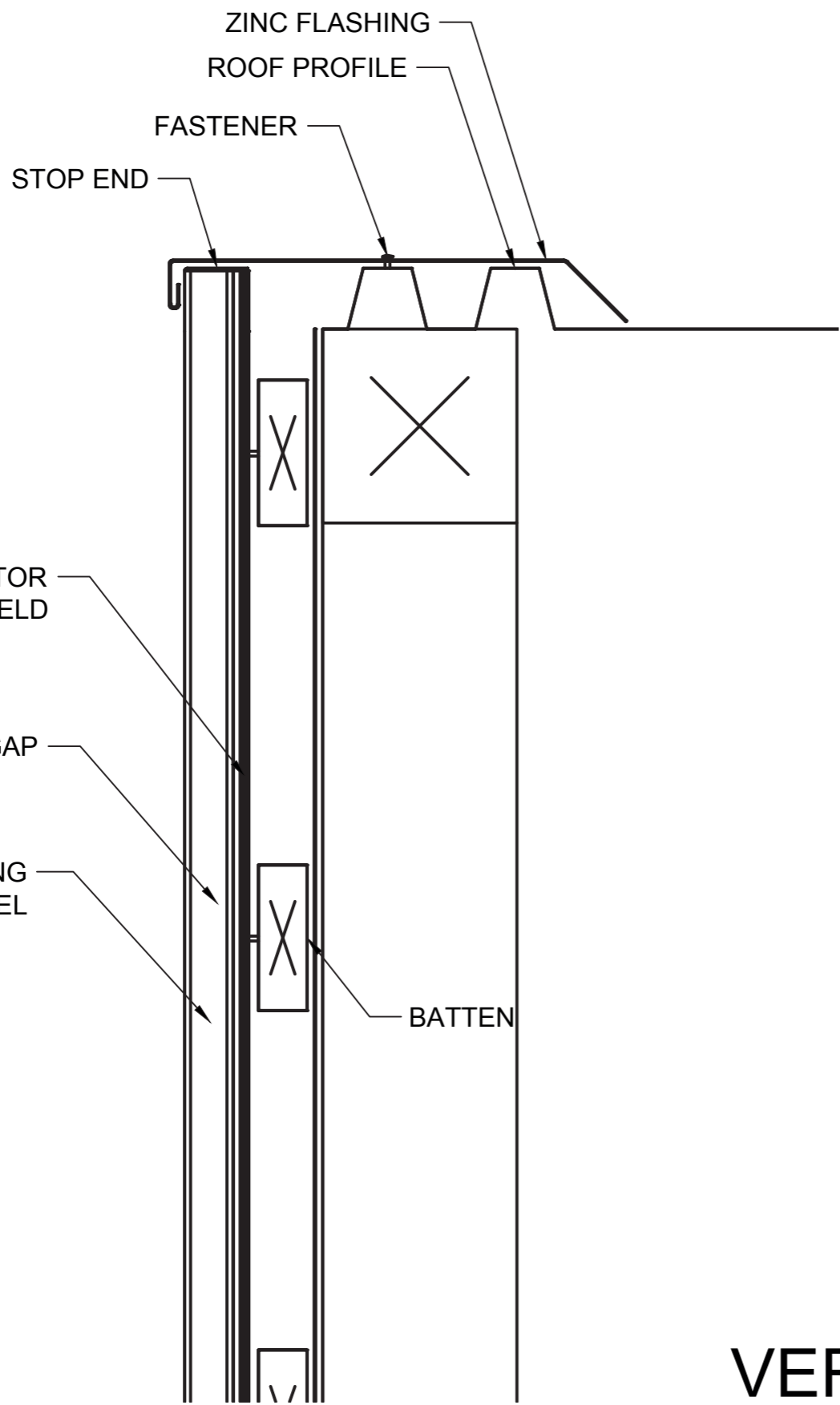
VENTILATION GAP

BATTEN



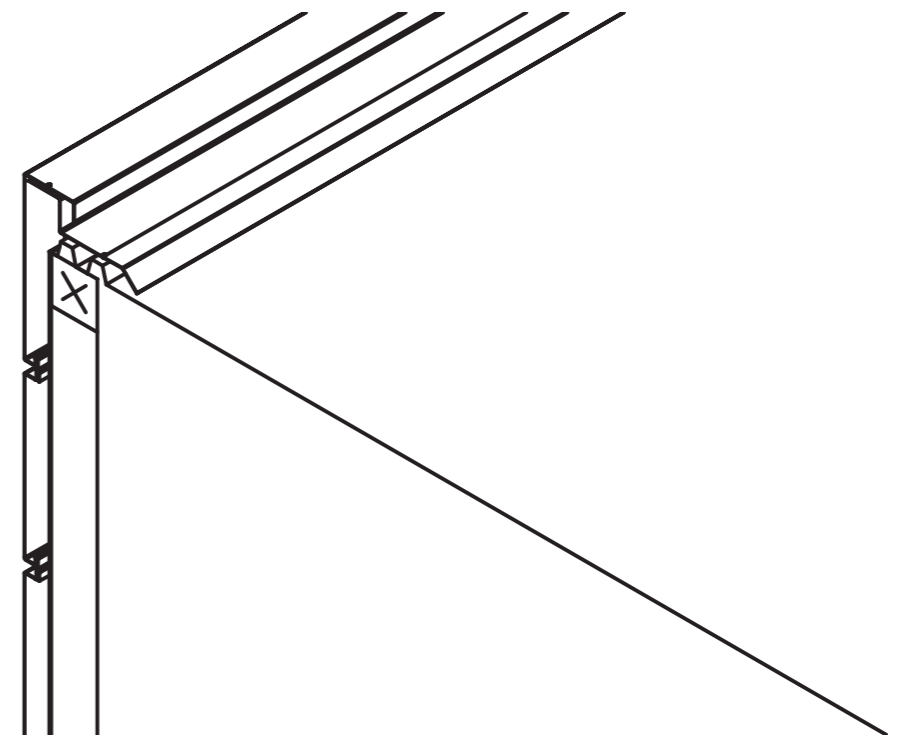
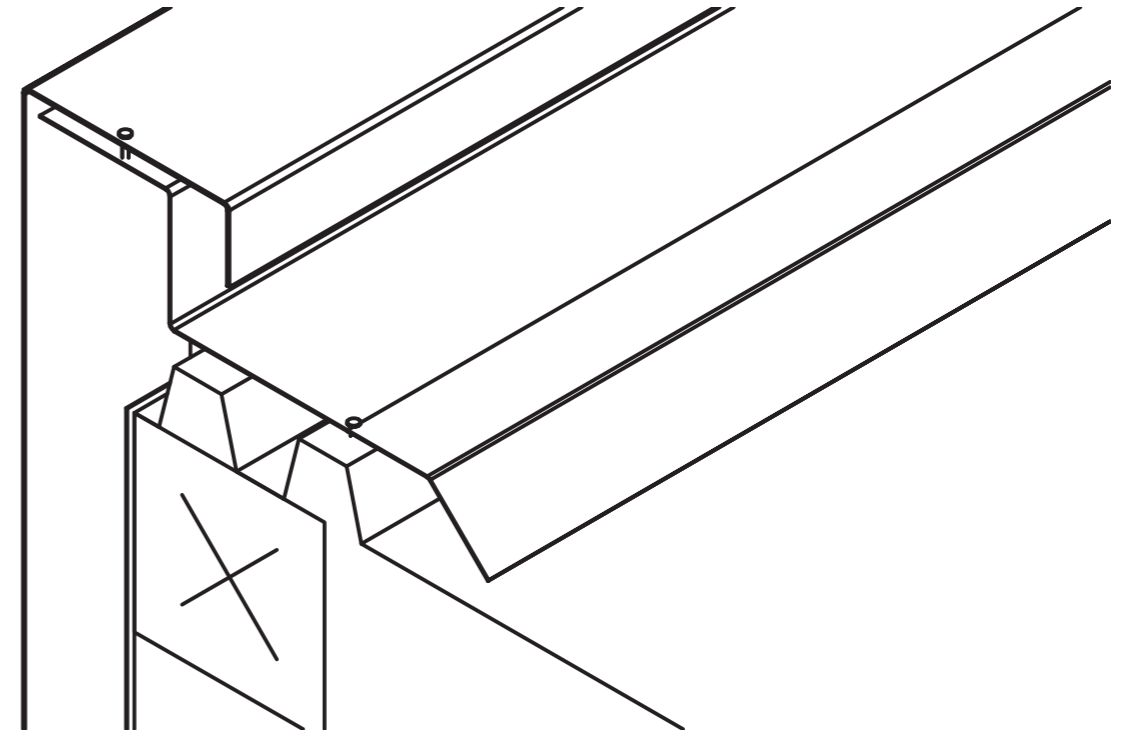
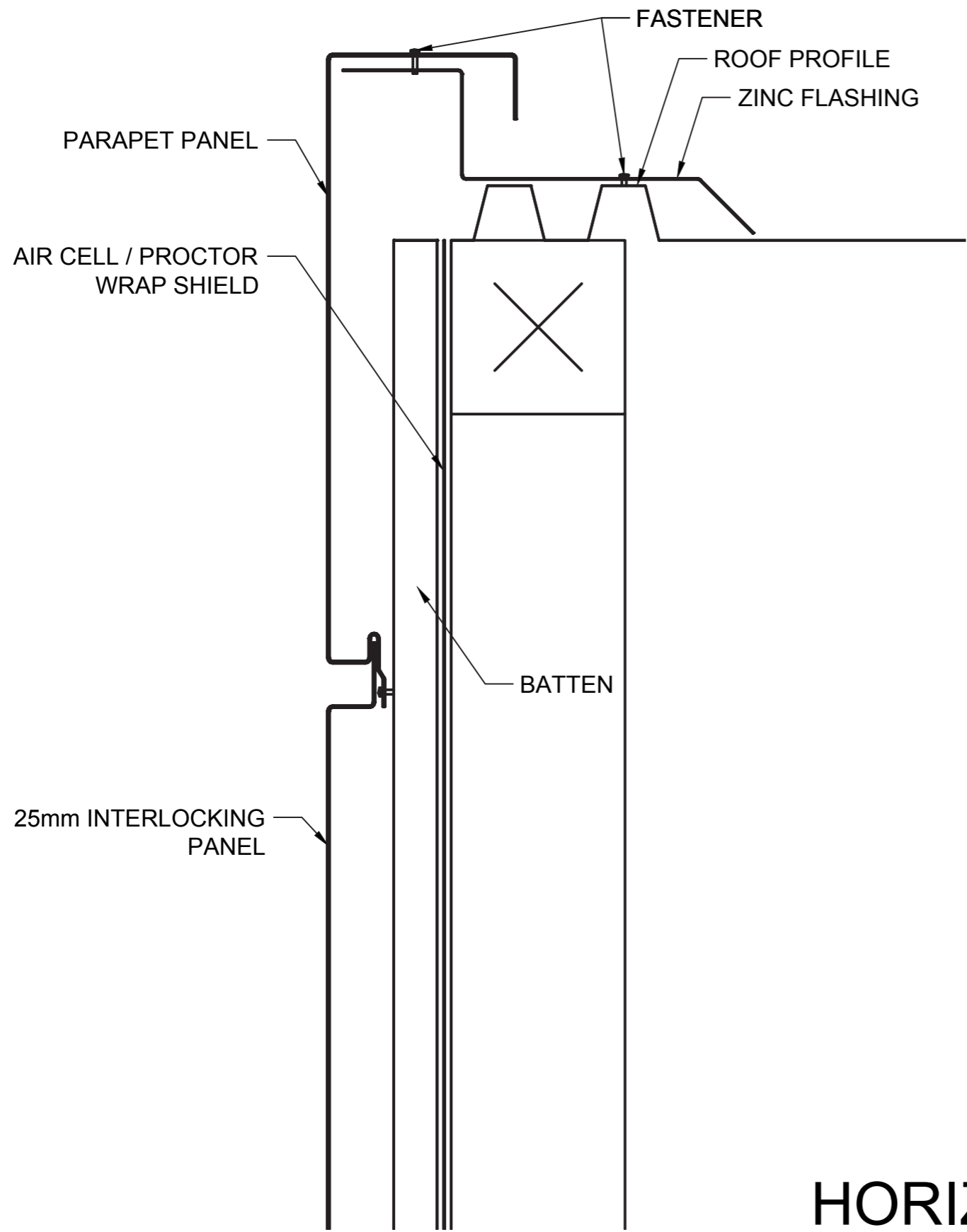
# PERPENDICULAR WALL STOP ENDS



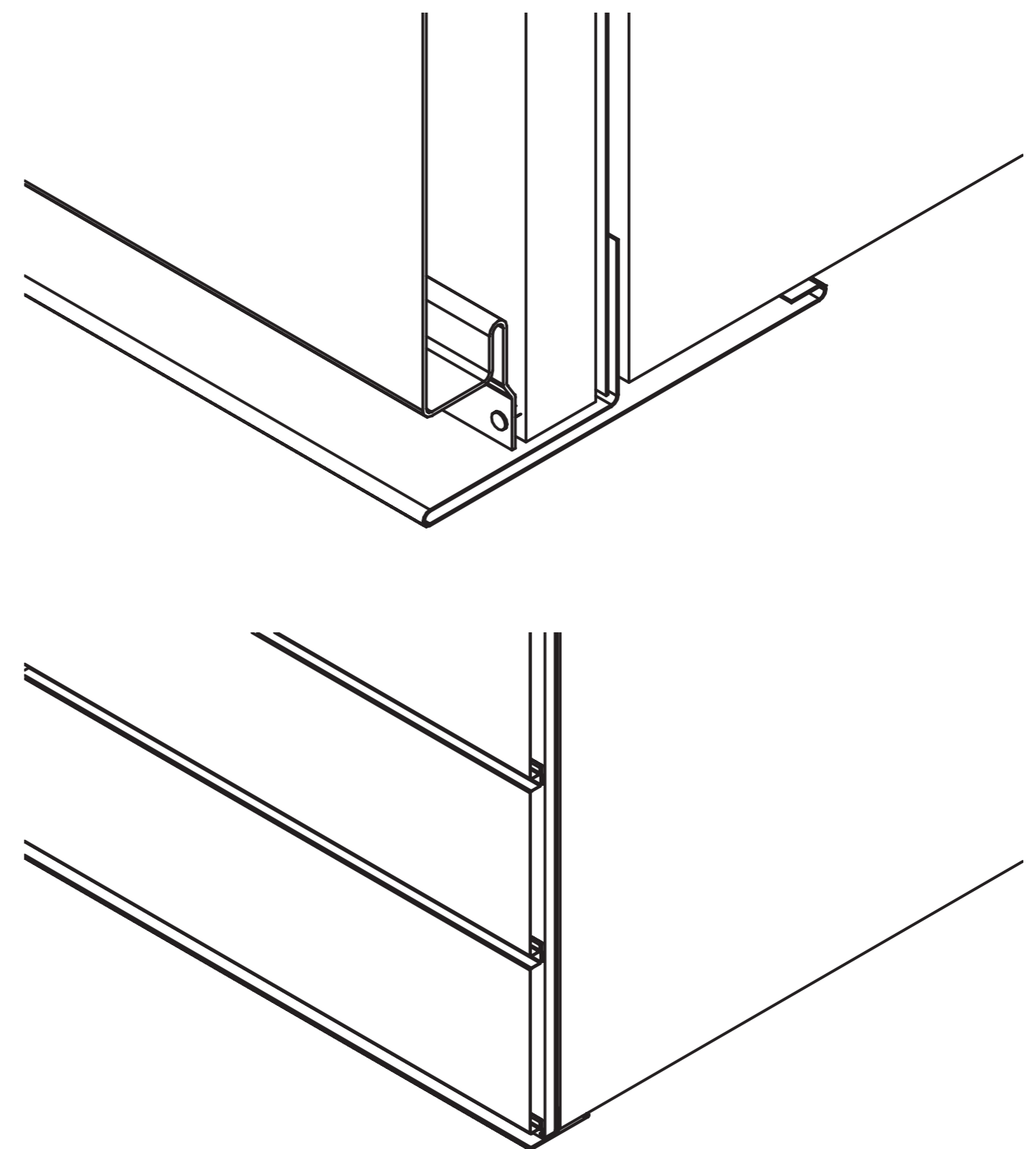
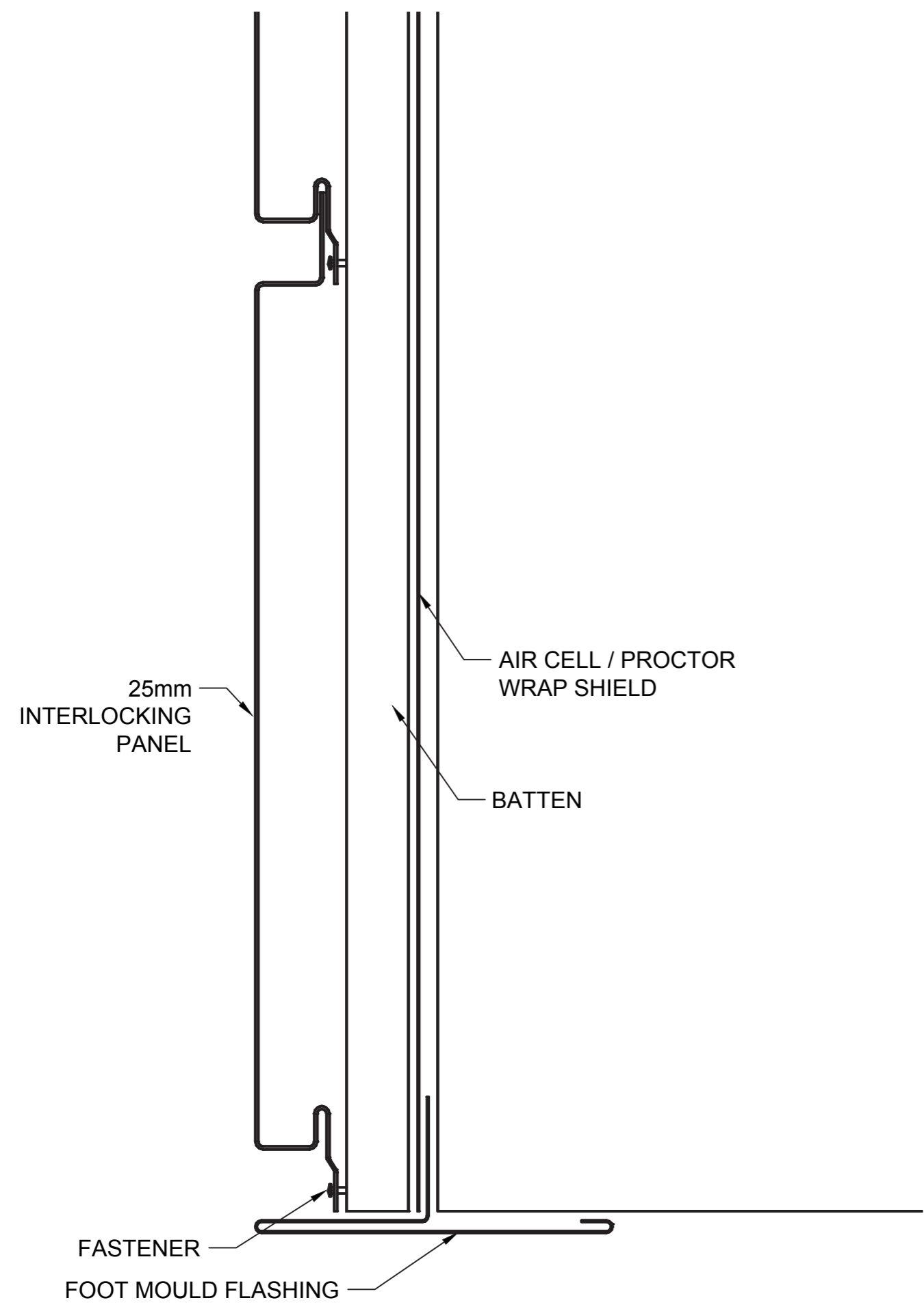


# PARAPET DETAIL VERTICAL INSTALLATION



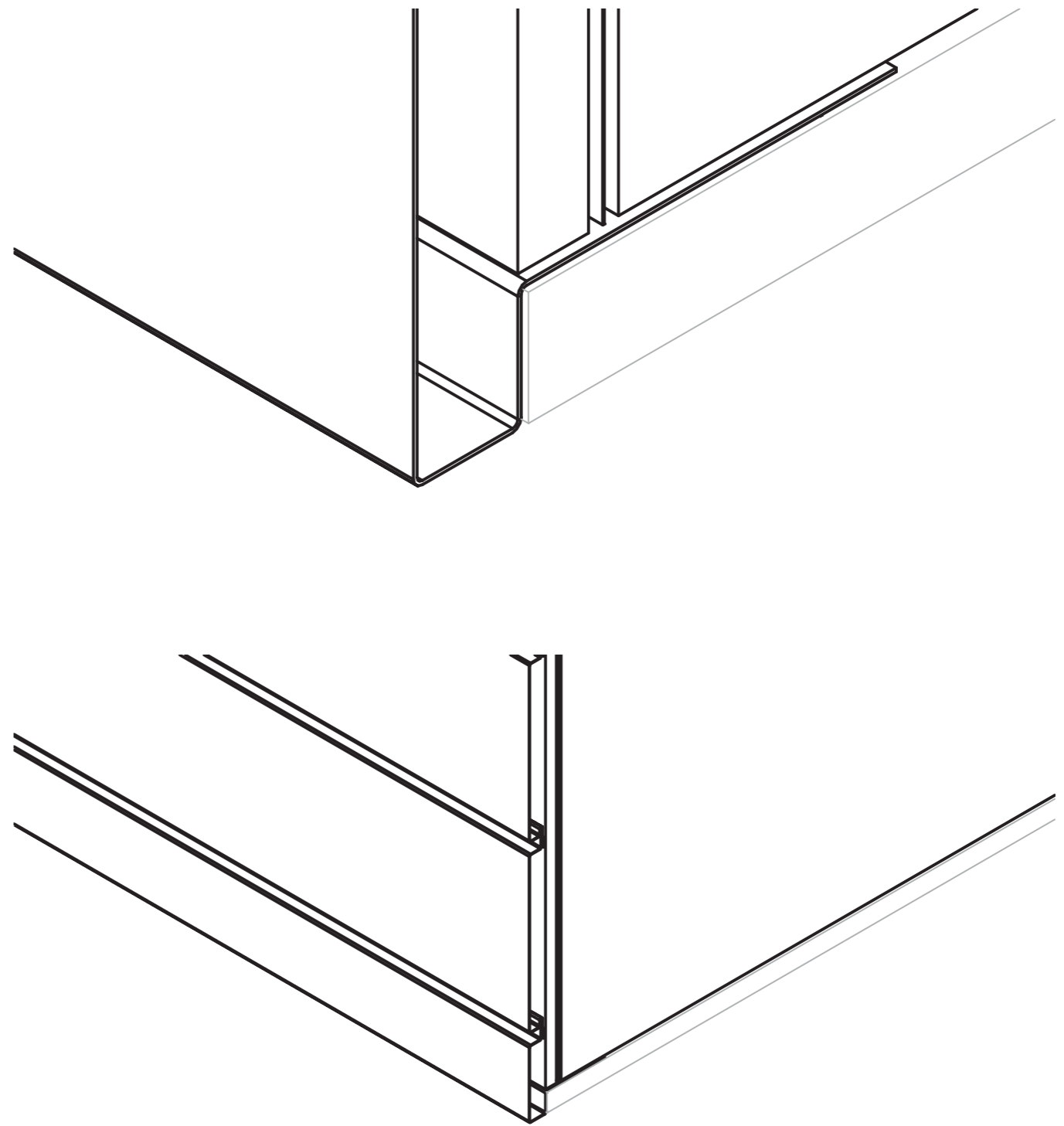
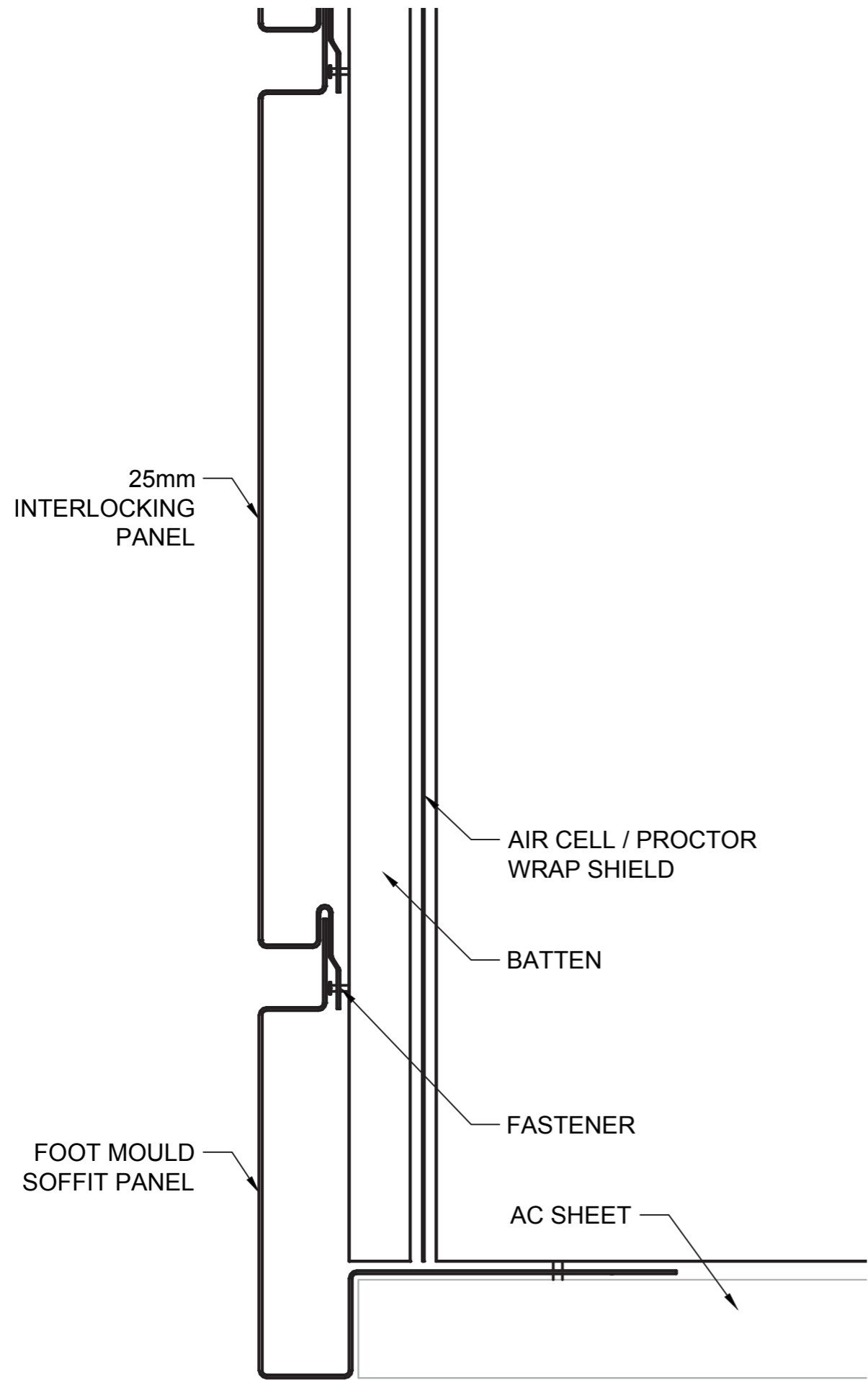


# PARAPET DETAIL HORIZONTAL INSTALLATION



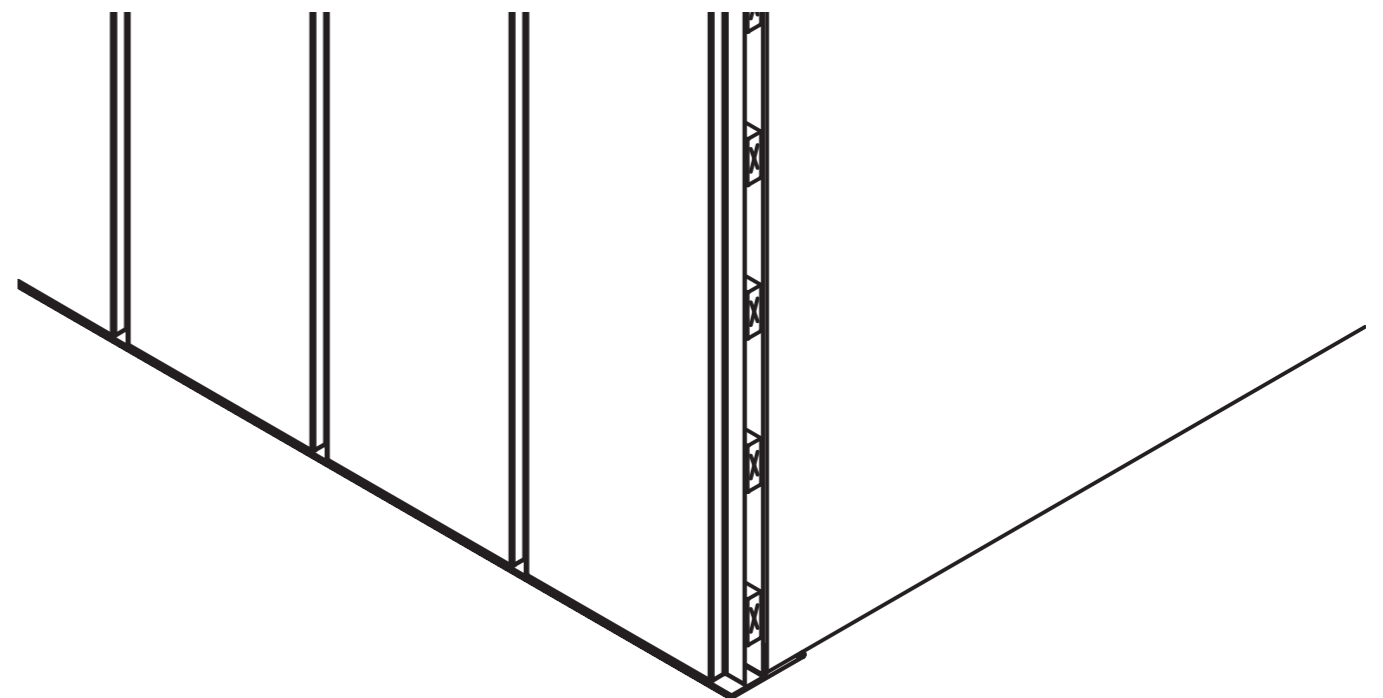
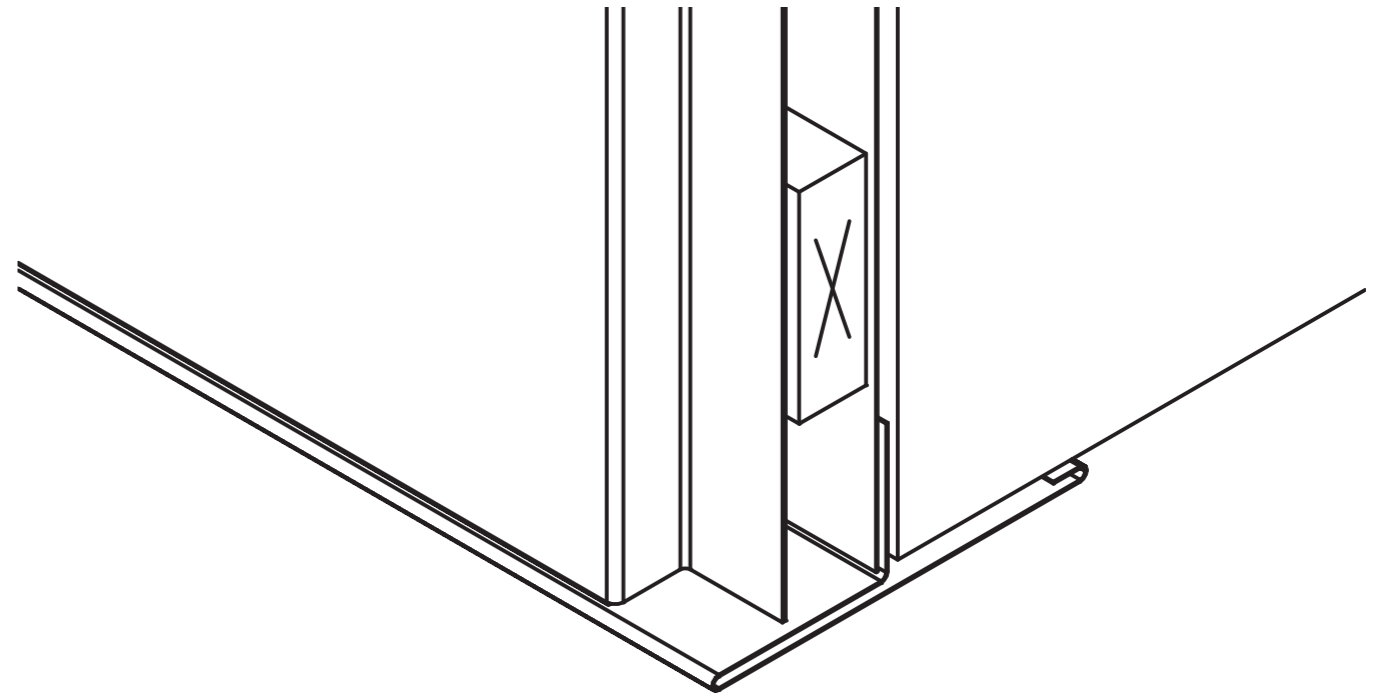
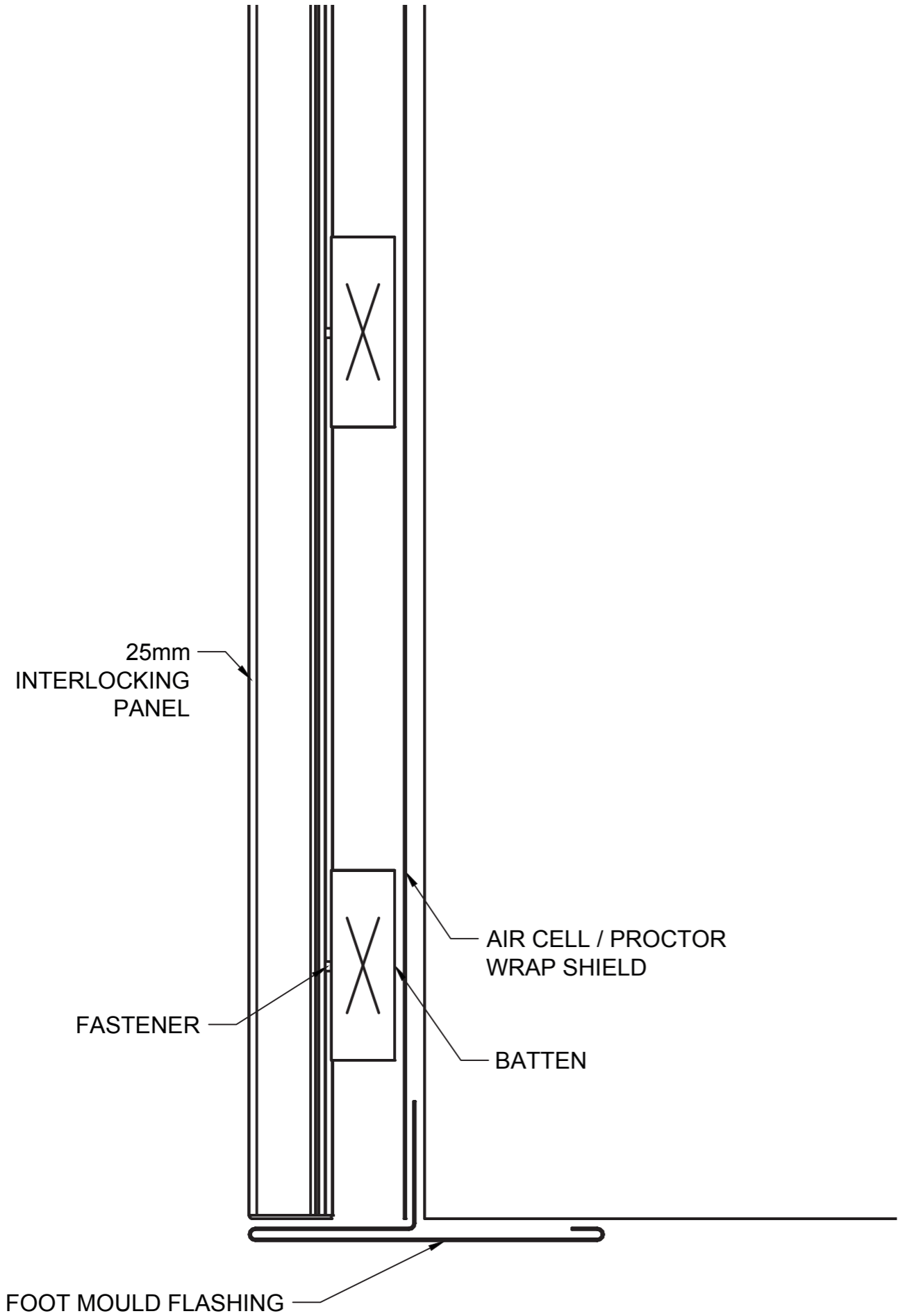
# HORIZONTAL PANEL FOOT MOULD DETAIL





# HORIZONTAL PANEL OVERHANGING FOOT MOULD DETAIL

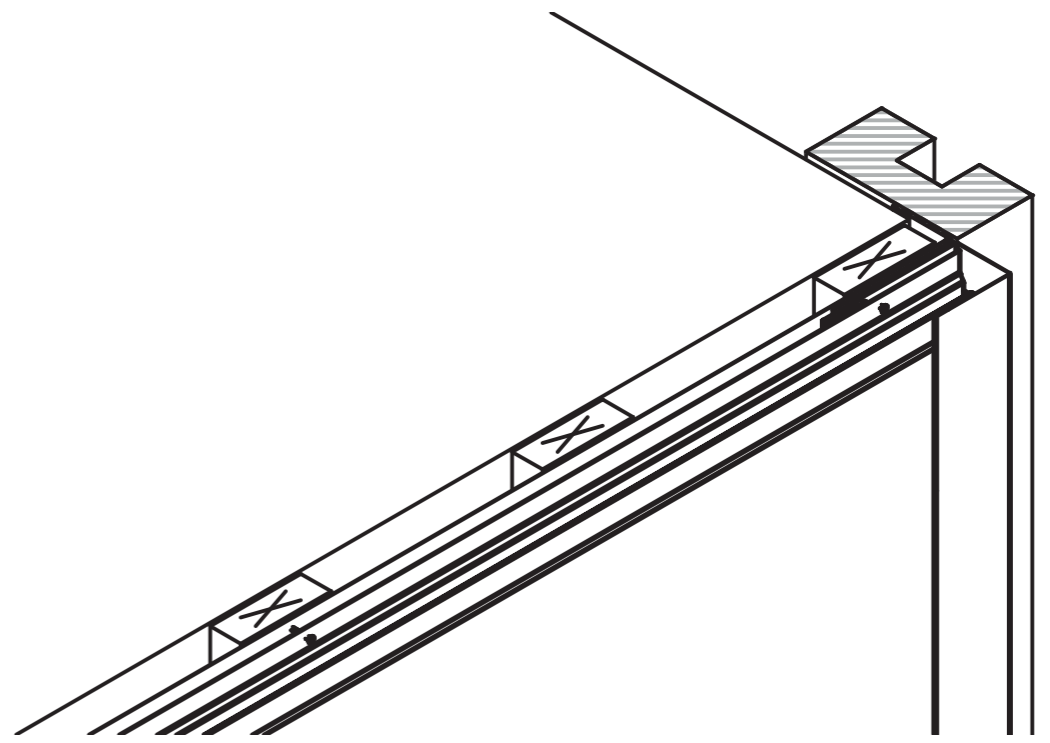
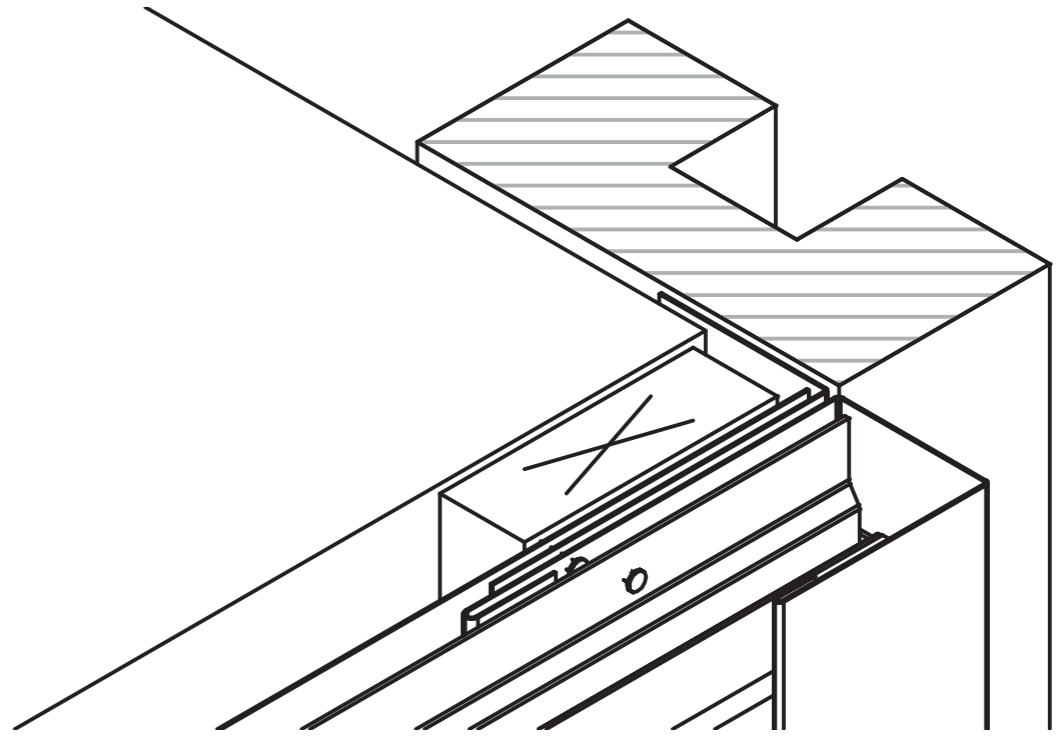
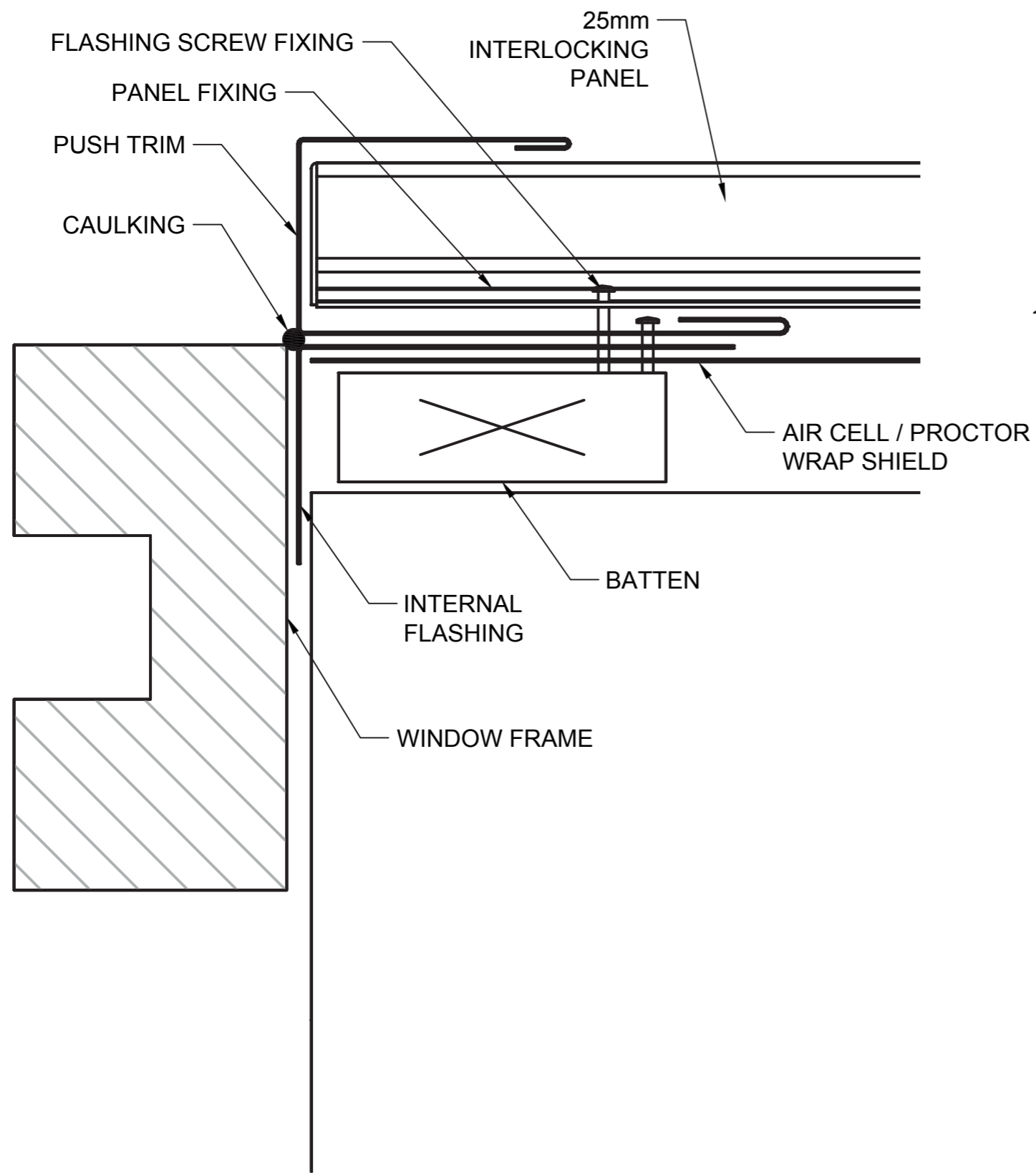




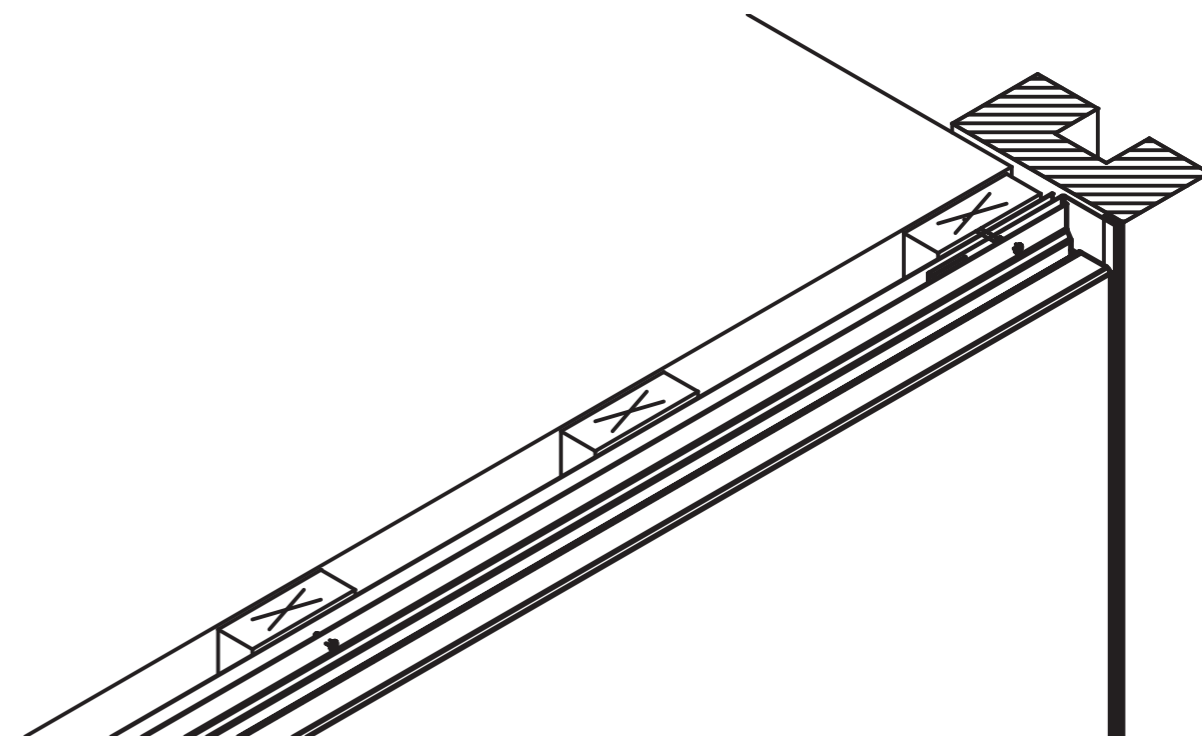
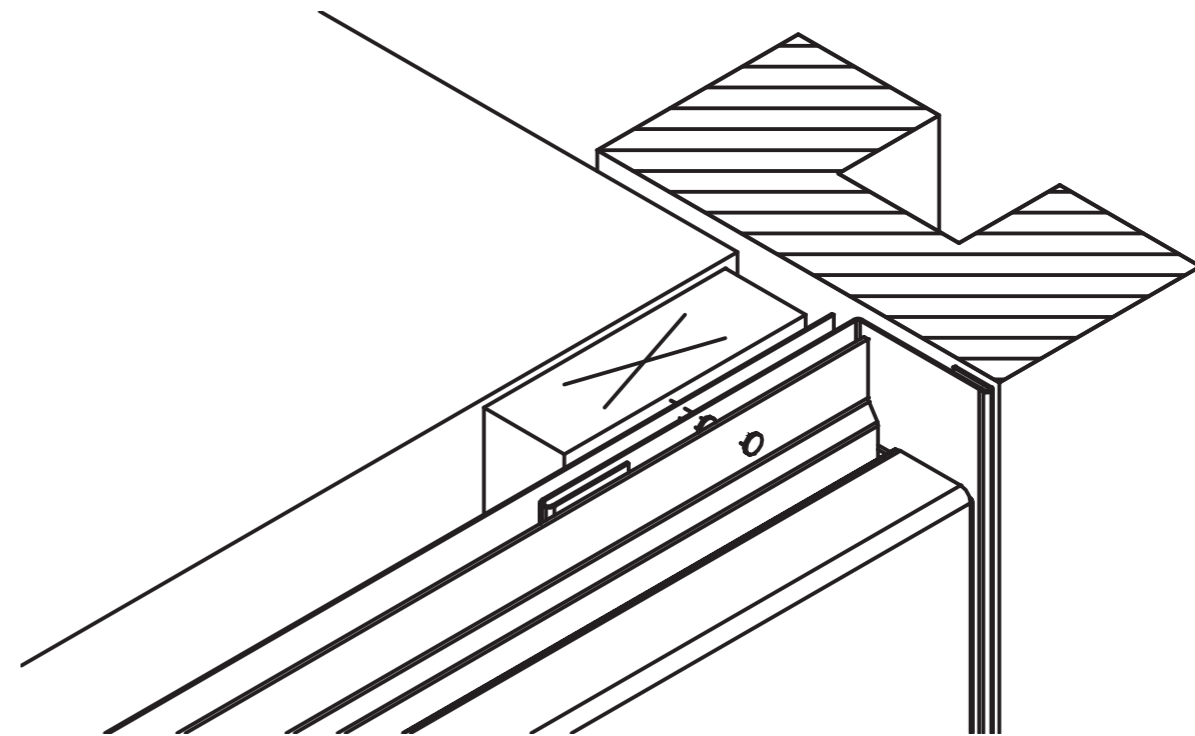
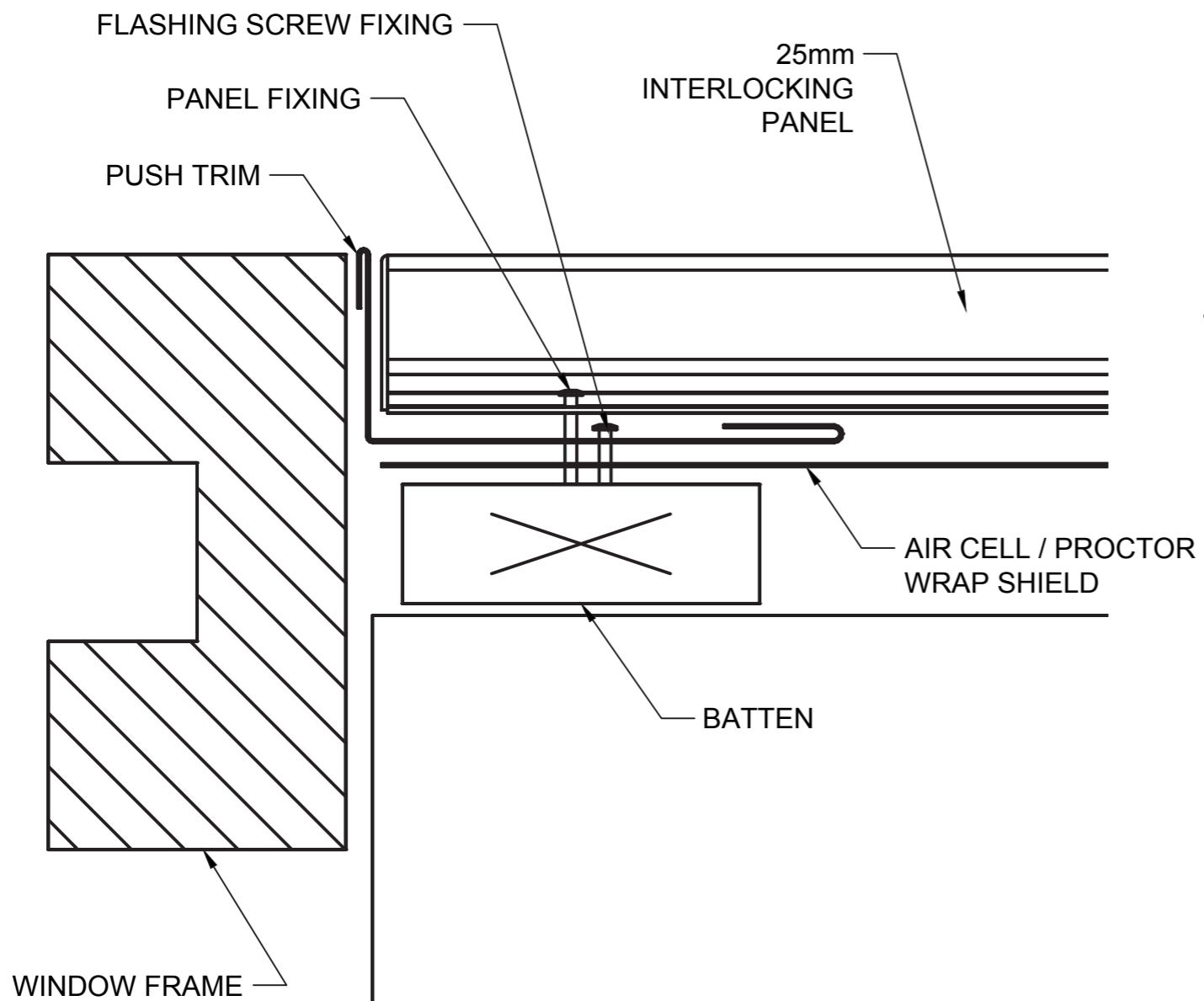
# VERTICAL PANEL FOOT MOULD DETAIL



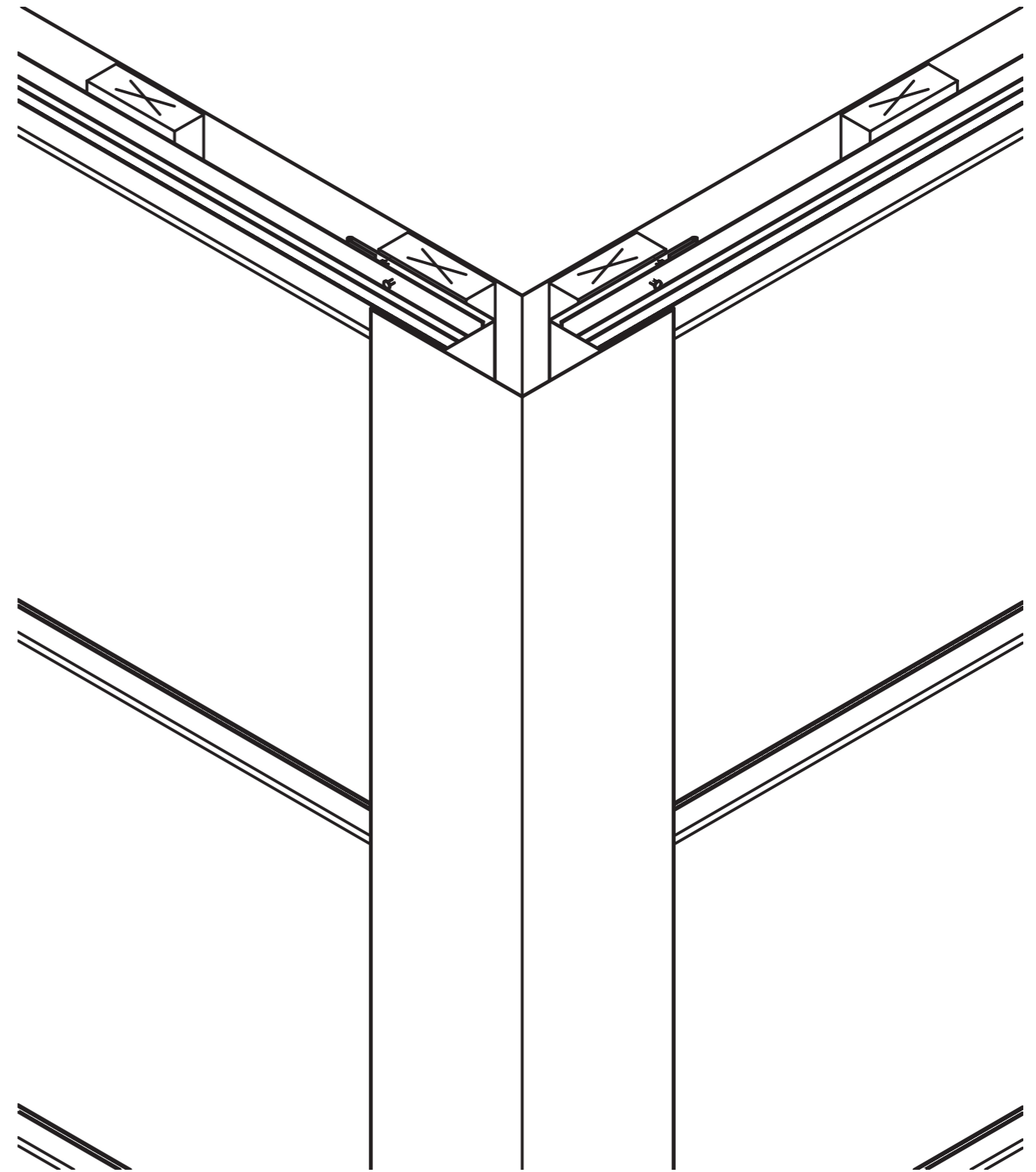
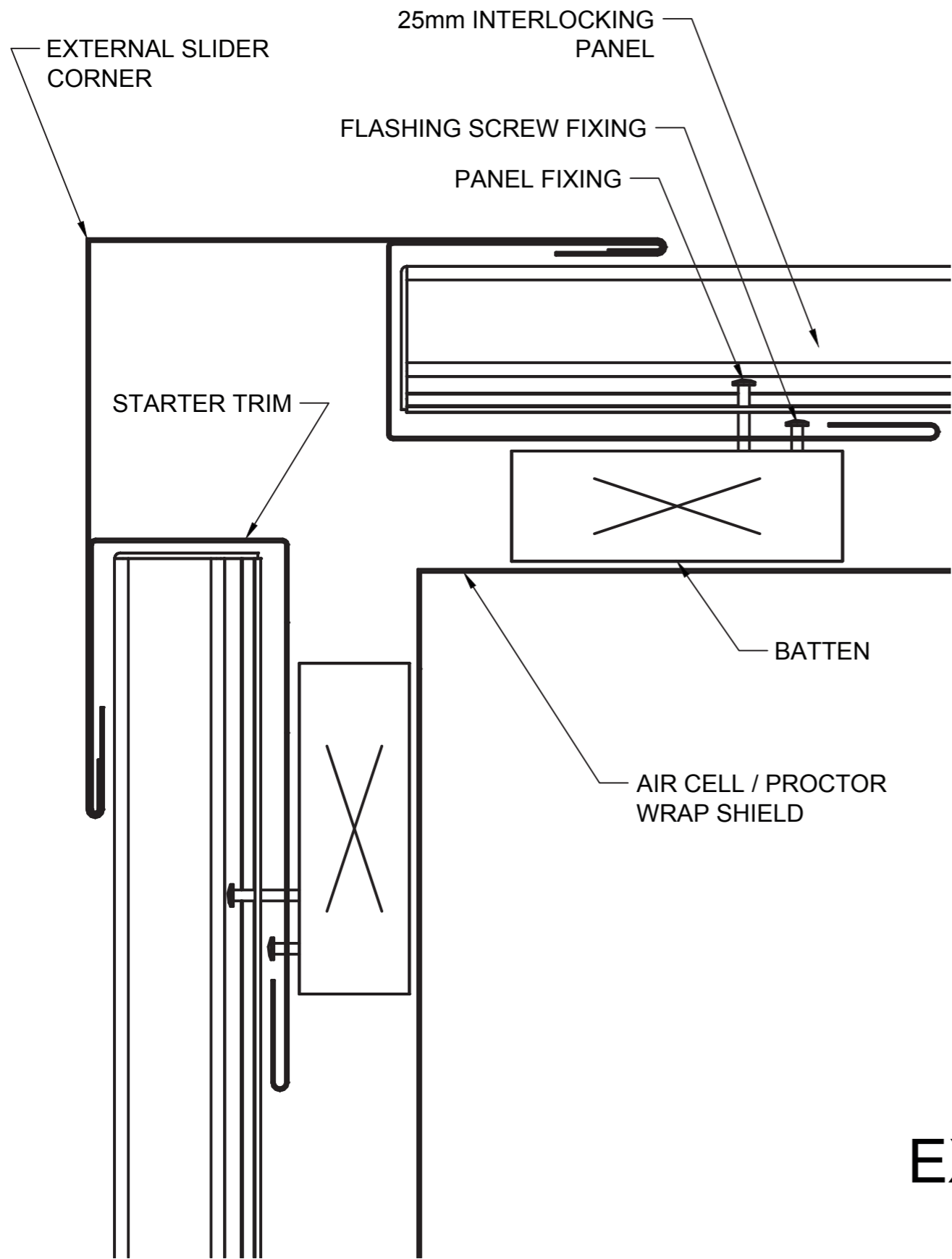




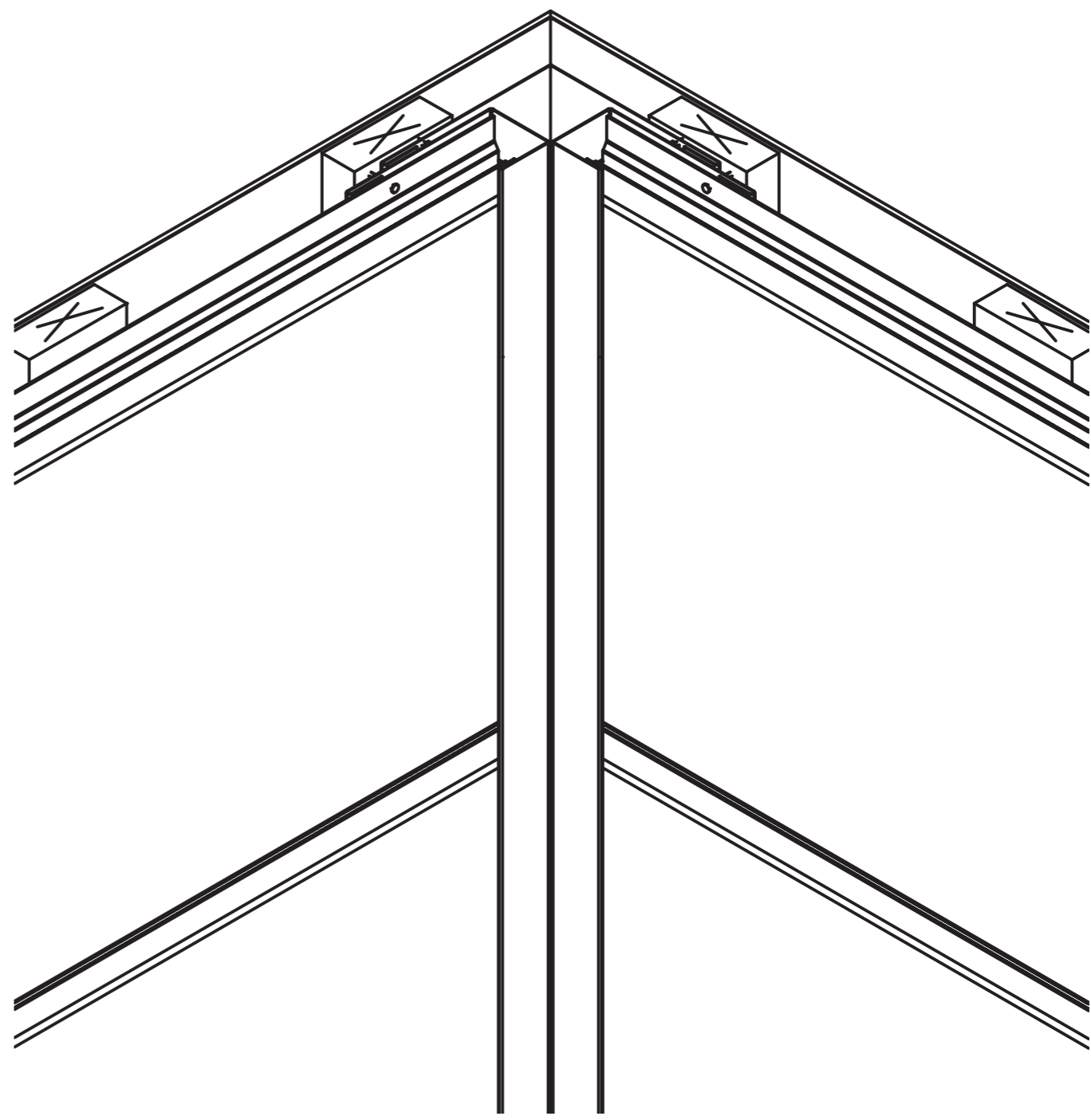
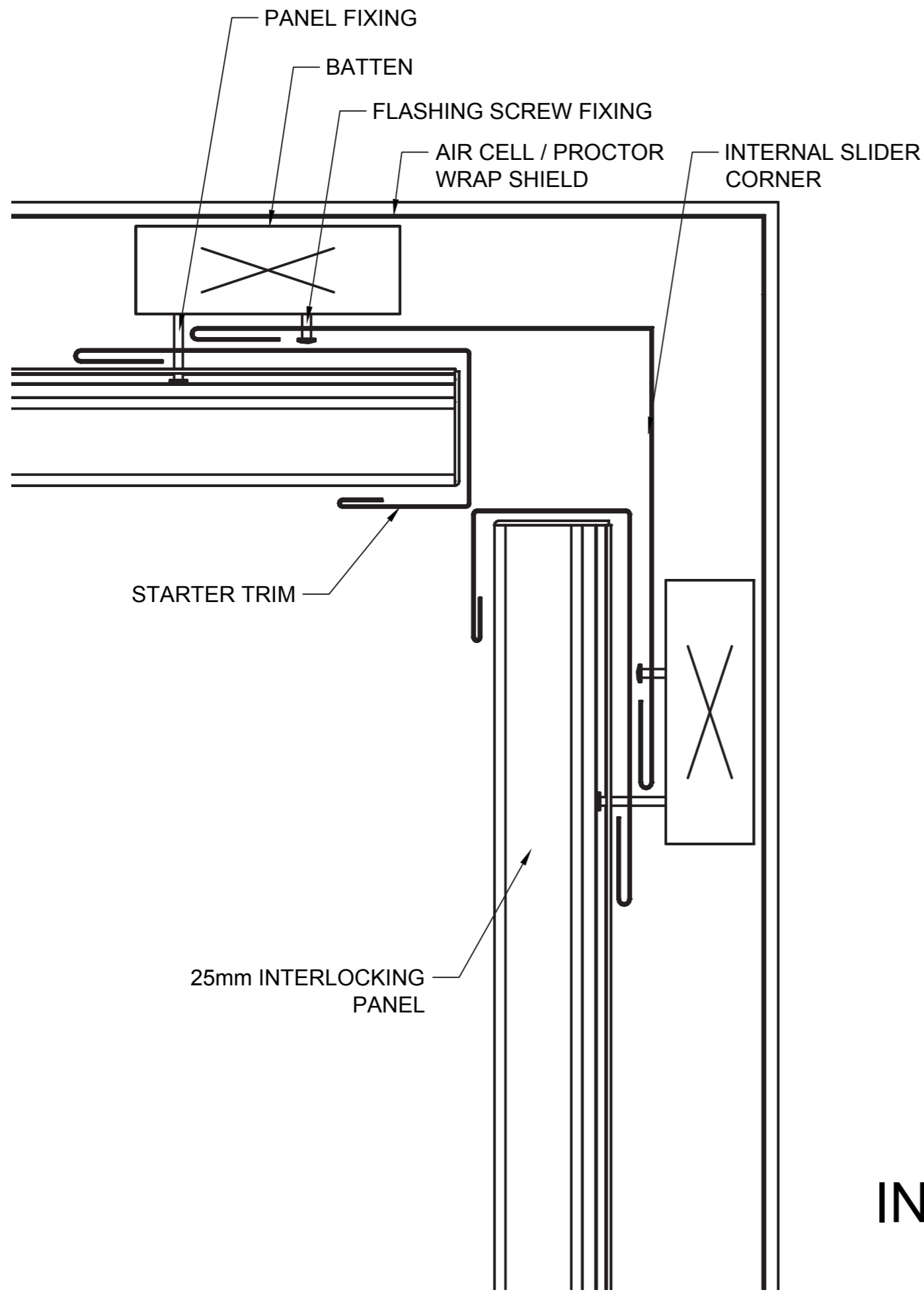
# WINDOW DETAIL STANDARD FIT



# WINDOW DETAIL SITTING PROUD



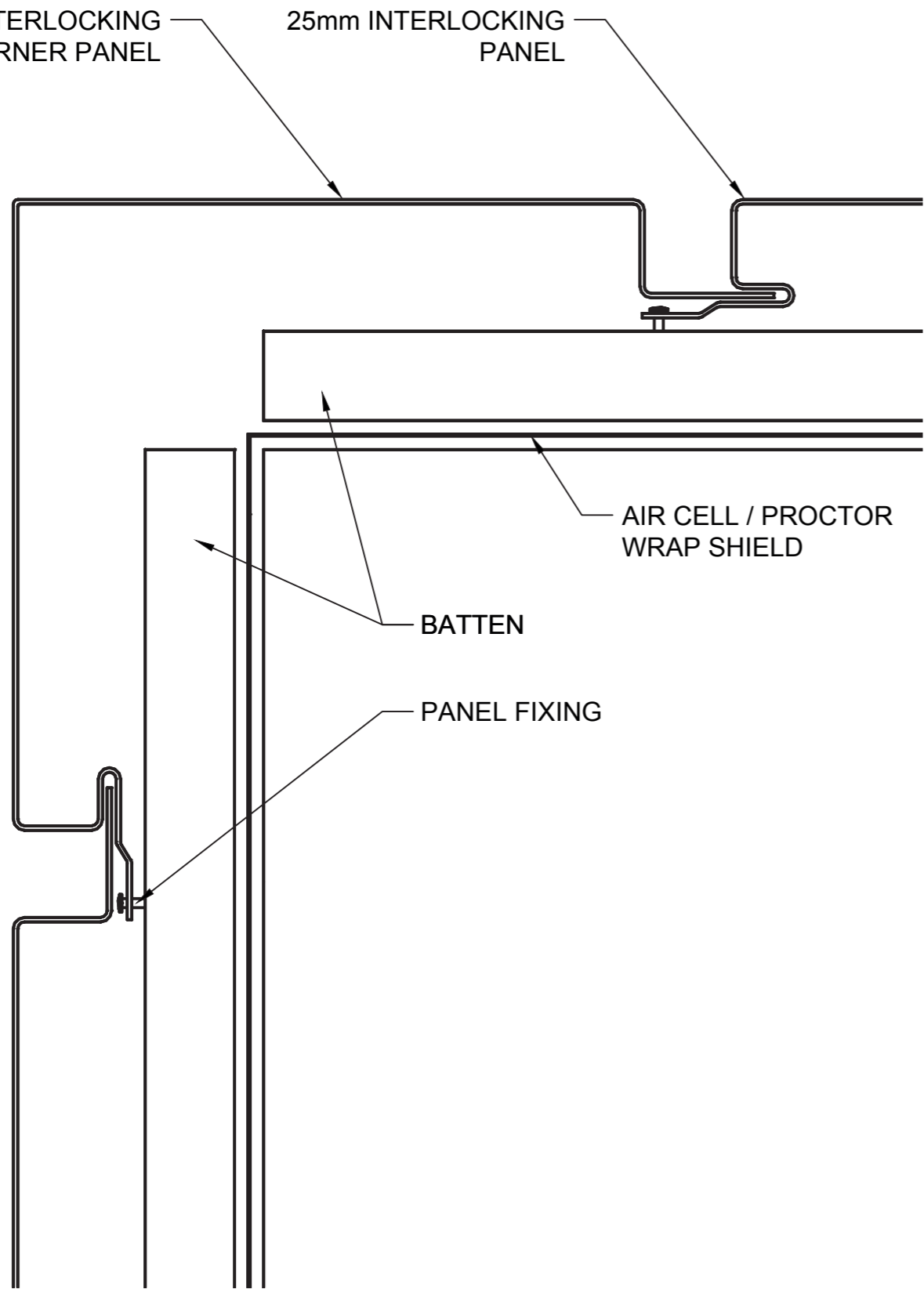
# EXTERNAL HORIZONTAL SLIDER DETAIL



# INTERNAL HORIZONTAL SLIDER DETAIL

25mm INTERLOCKING  
CORNER PANEL

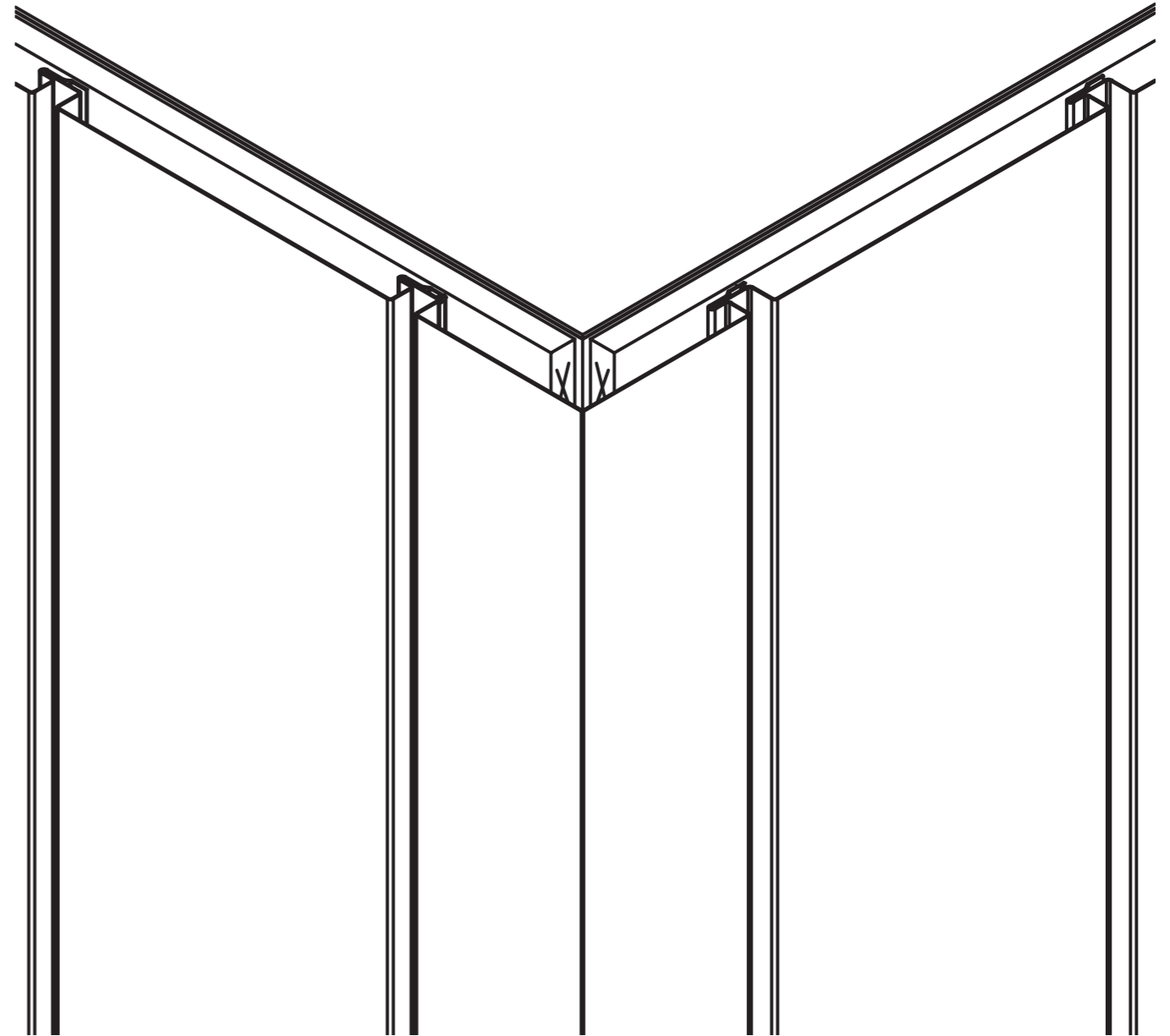
25mm INTERLOCKING  
PANEL



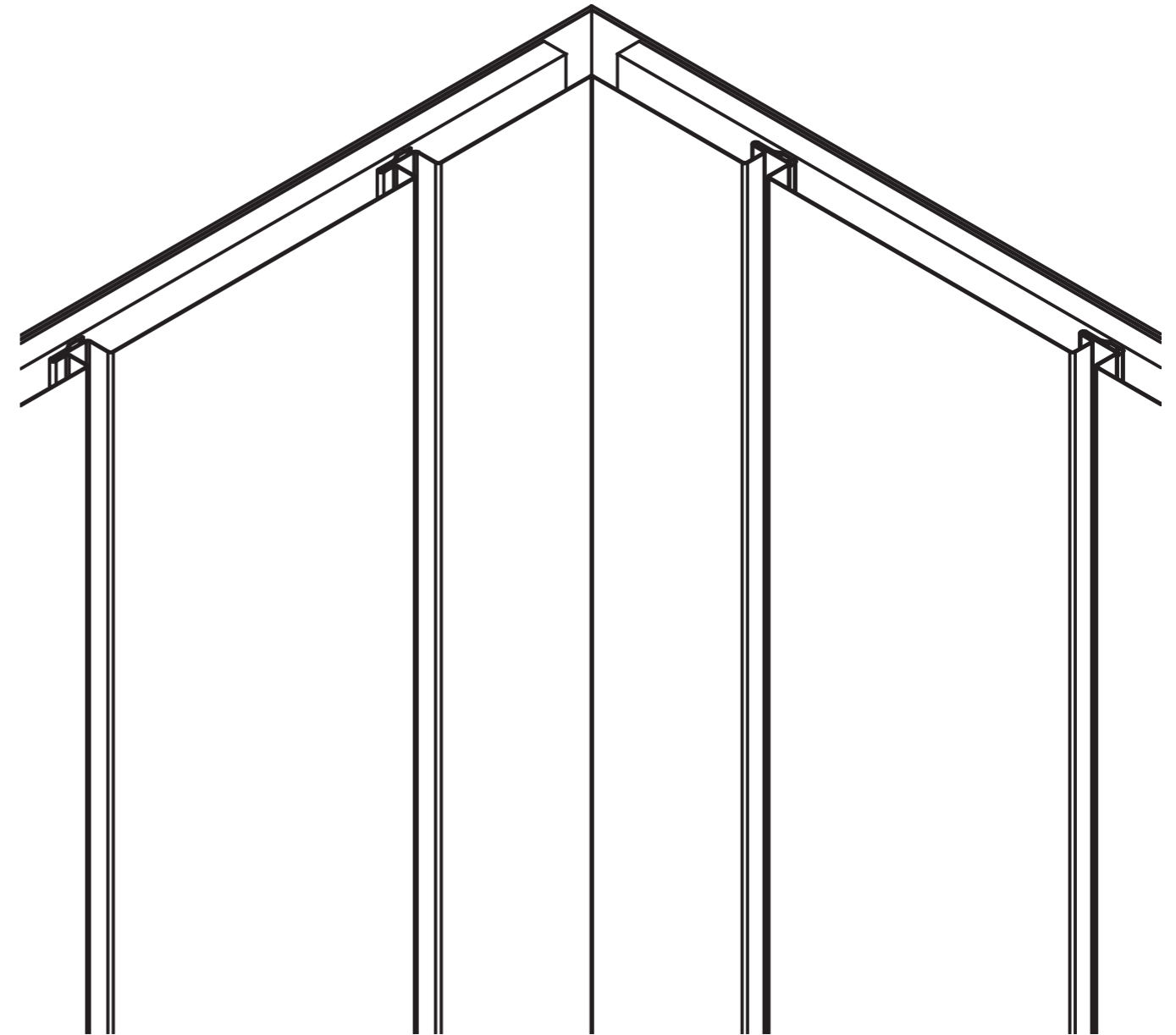
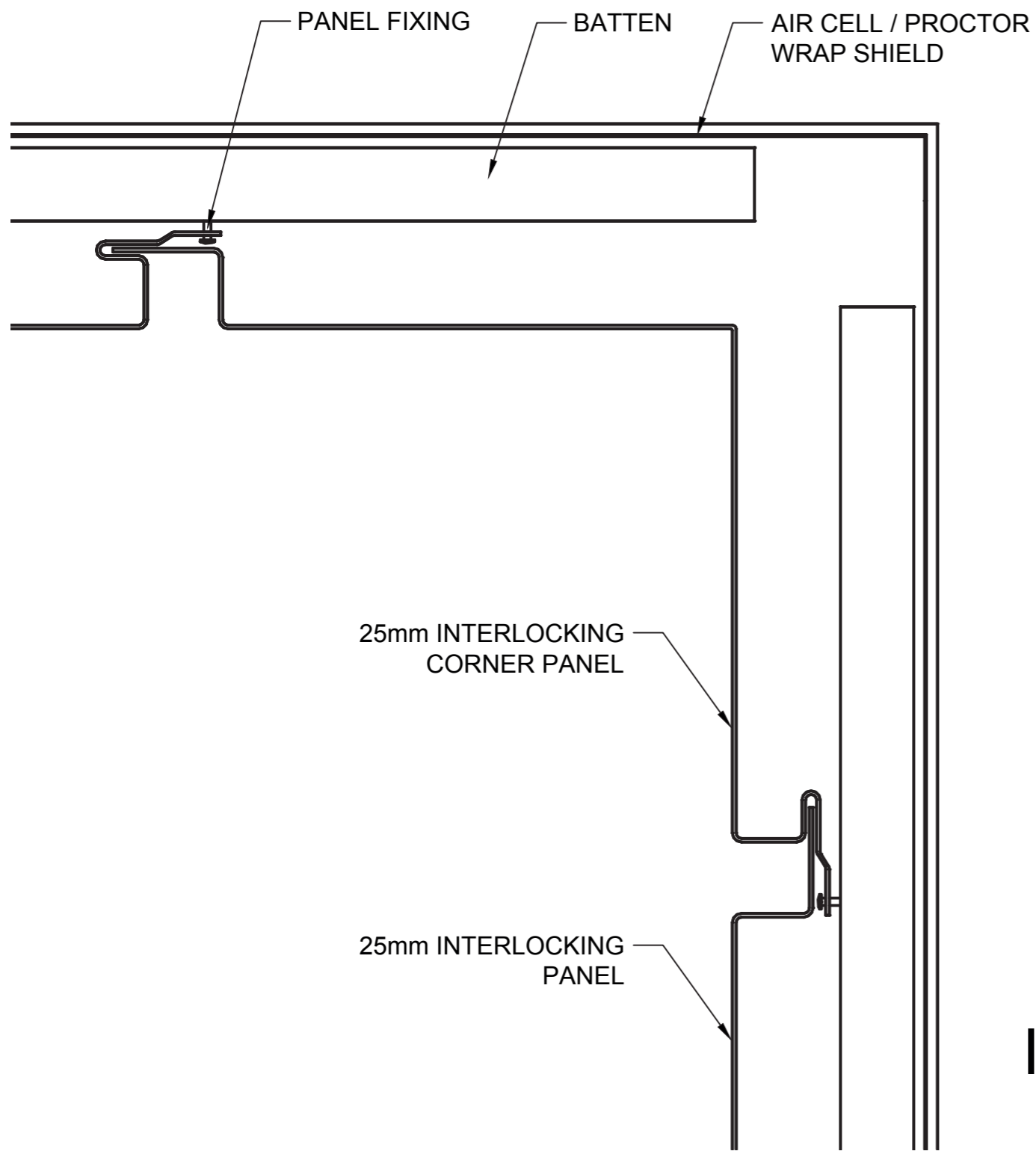
AIR CELL / PROCTOR  
WRAP SHIELD

BATTEN

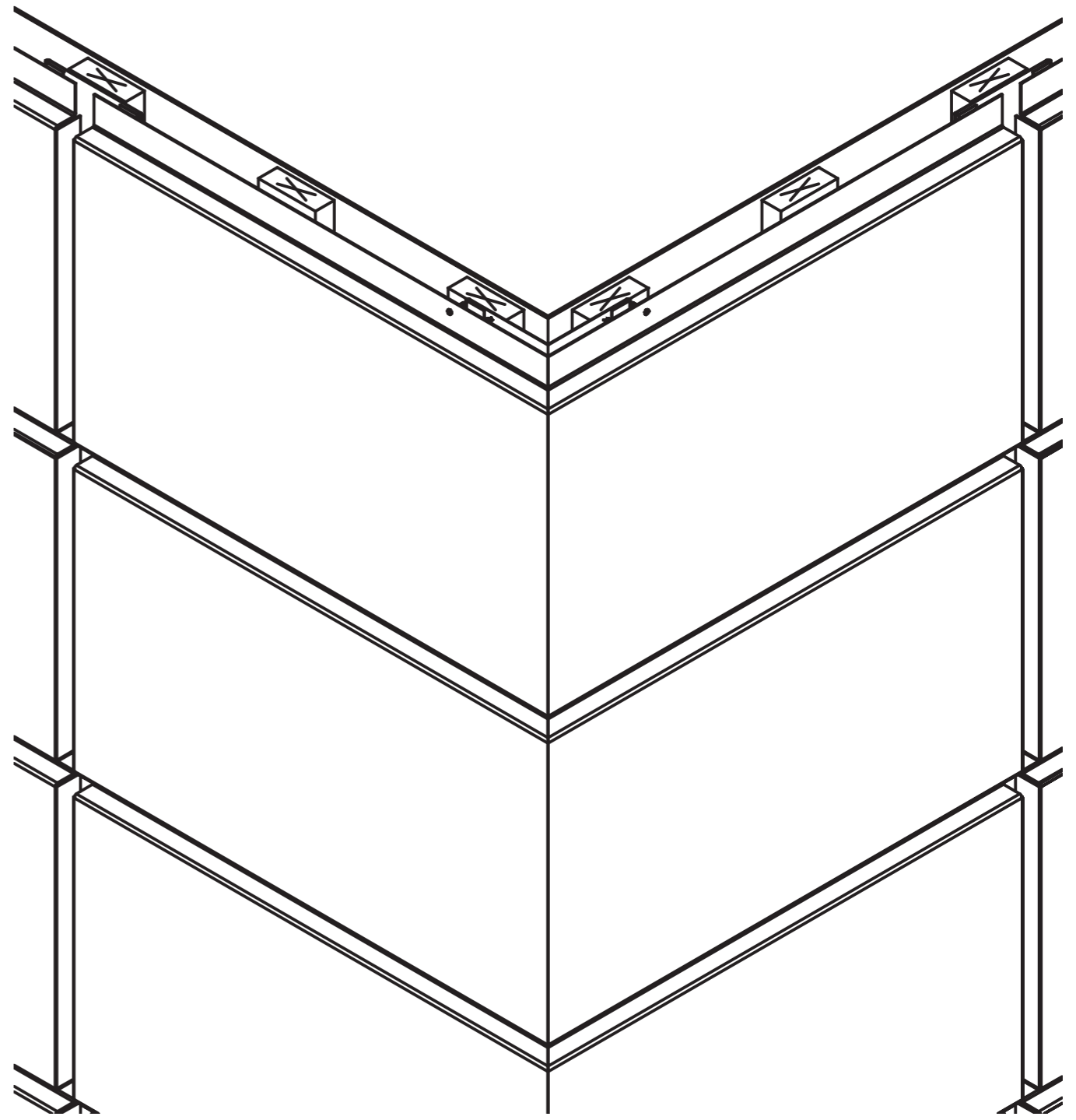
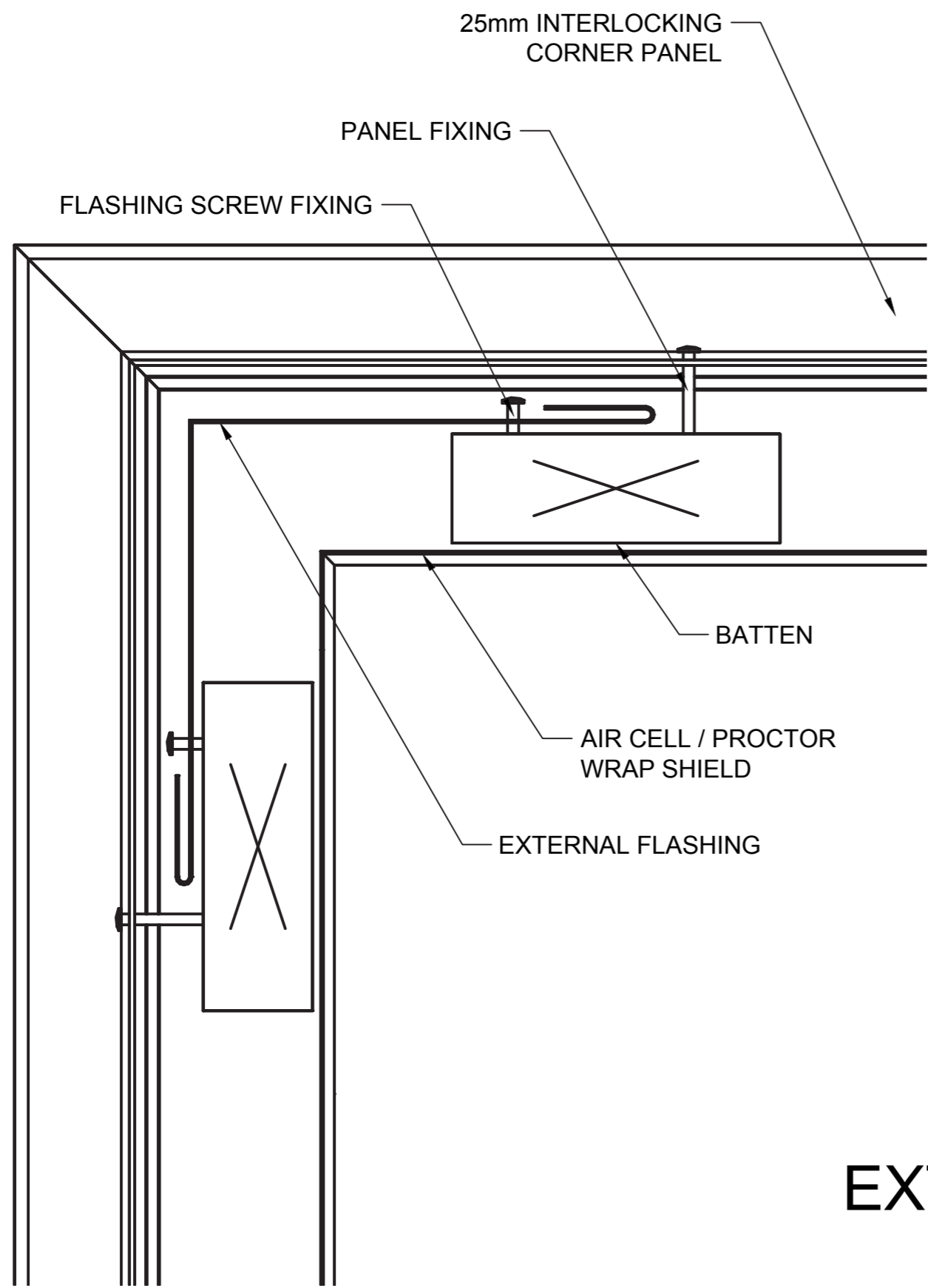
PANEL FIXING



## EXTERNAL VERTICAL PANEL DETAIL



# INTERNAL VERTICAL PANEL DETAIL



# EXTERNAL HORIZONTAL PANEL DETAIL

