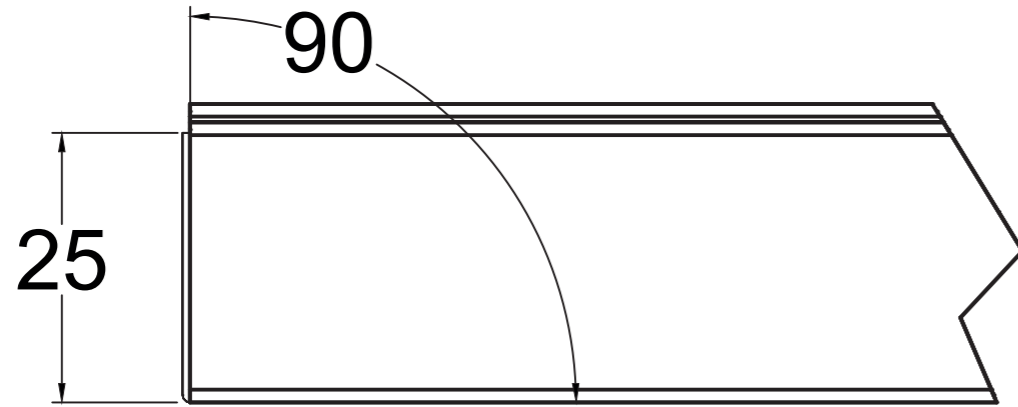


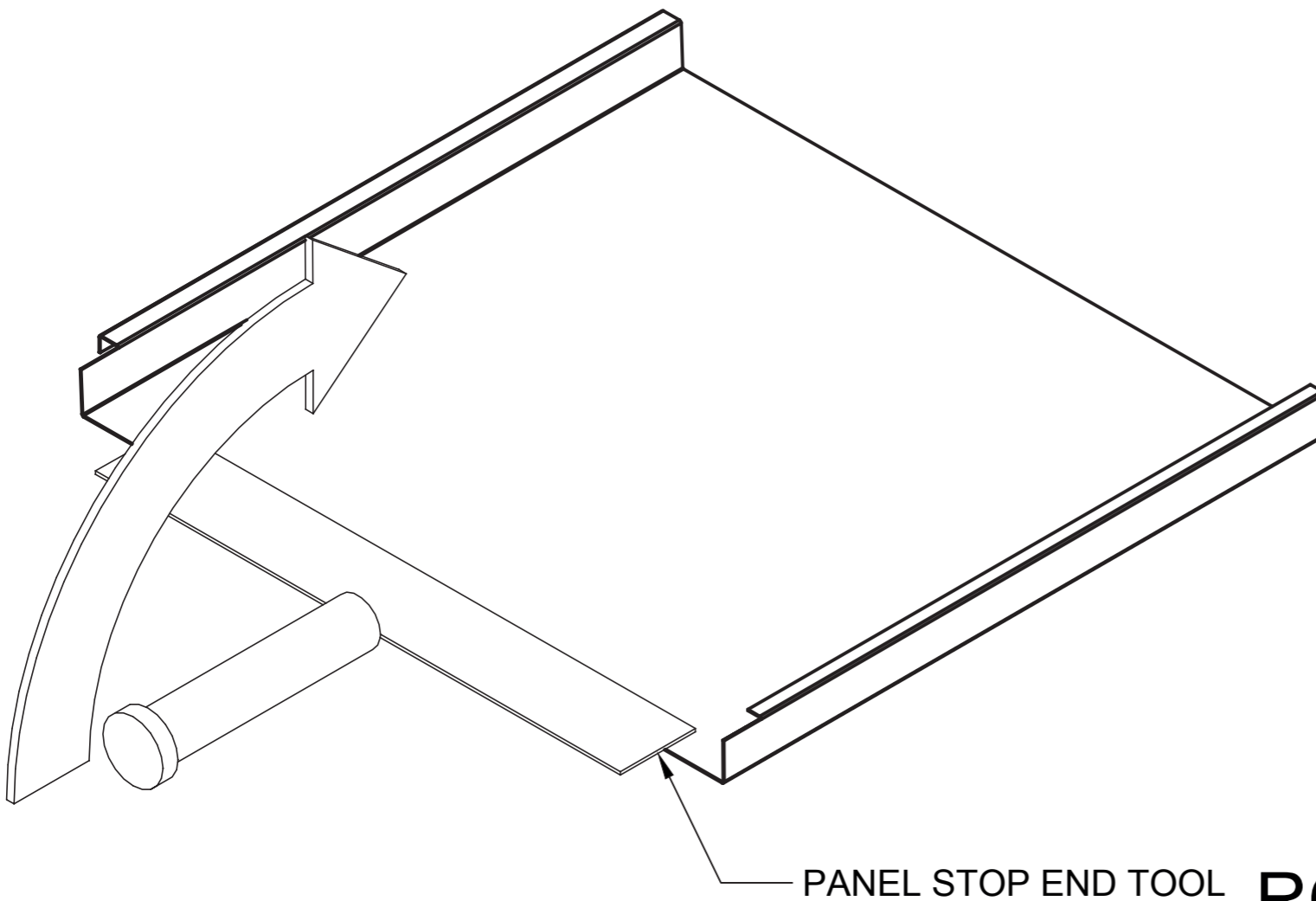
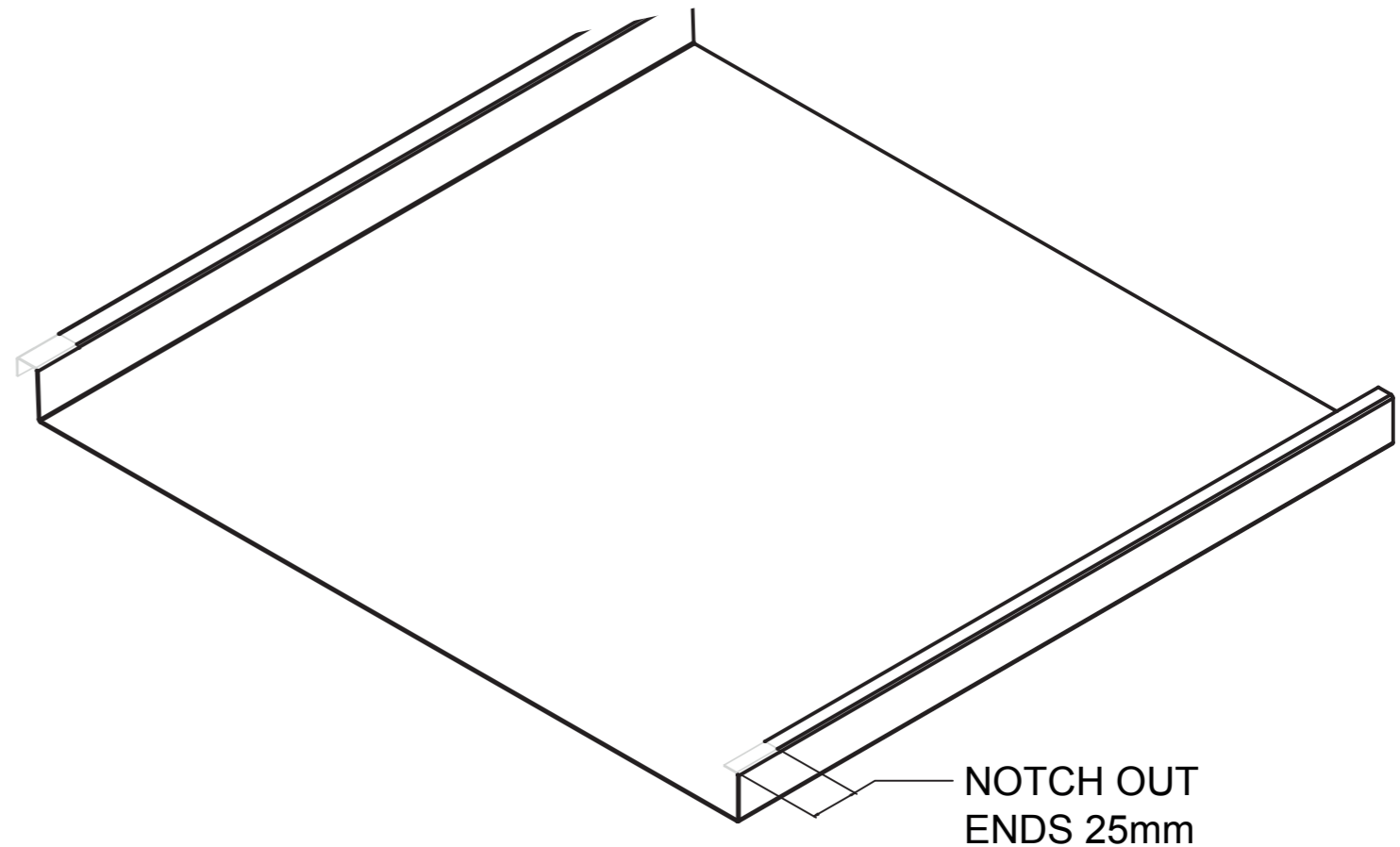
| | A | B |
|-----------|-----|-----|
| VM ZINC | 430 | 245 |
| | 260 | 410 |
| COLORBOND | 530 | 510 |
| | 230 | 310 |

STANDING SEAM PANEL DETAIL





STOP END DETAIL

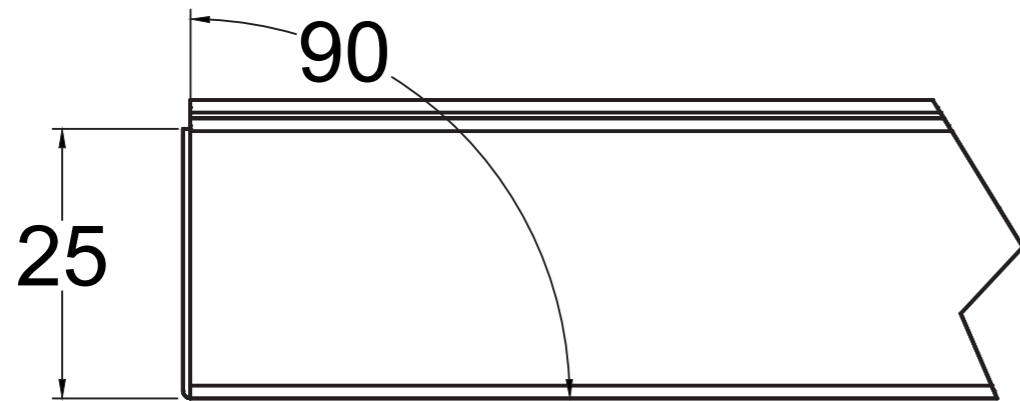


NOTES:

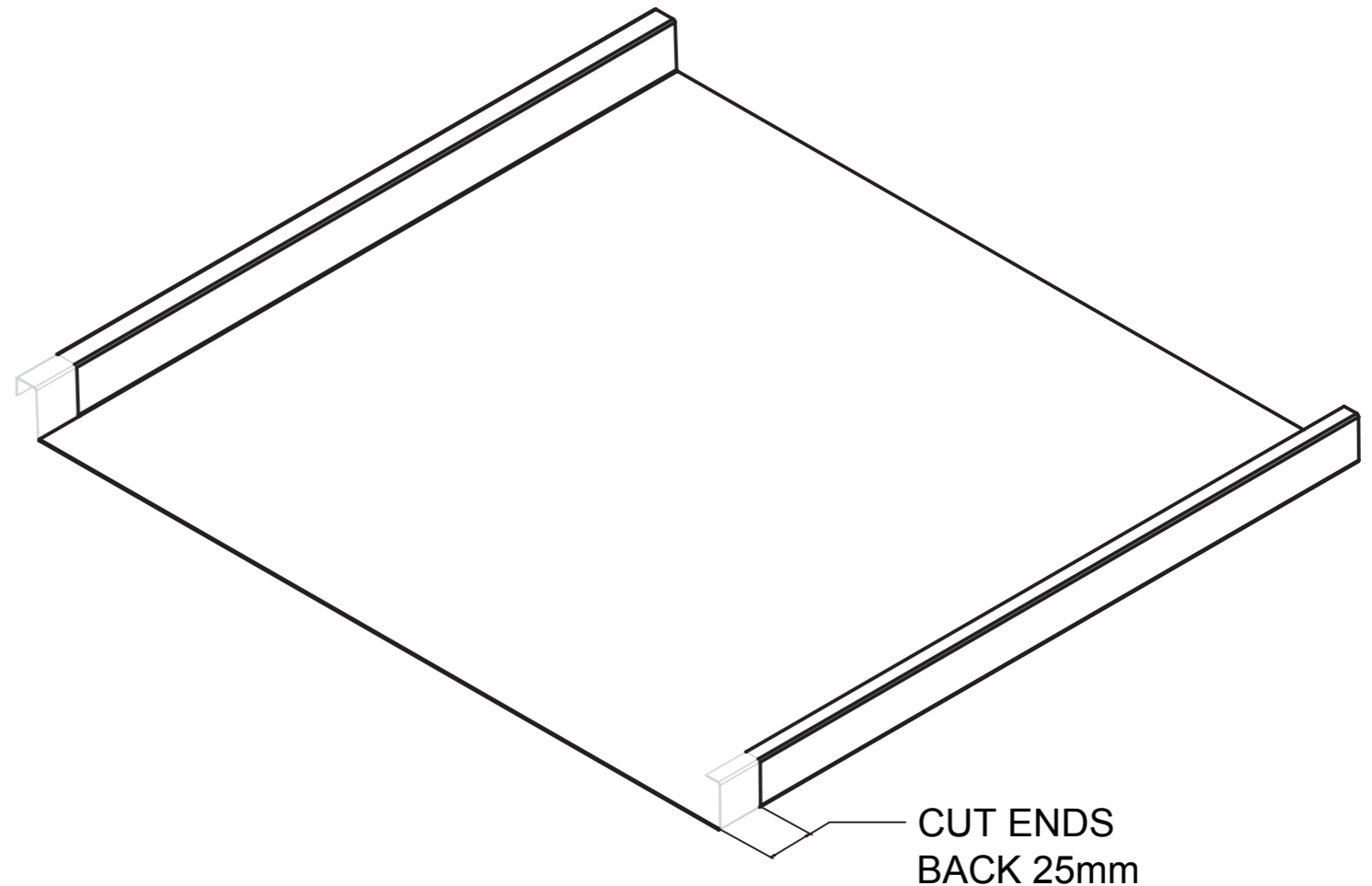
1. PANELS ARE REQUIRED TO BE ROLLED 25mm LONGER THAN REQUIRED LENGTH
2. 25mm OF THE SIDE WALLS, THE UNDER AND OVER FOLDS REQUIRE NOTCHING AND REMOVAL
3. USE APPROPRIATE TOOLING TO CLAMP 25mm STOP END ENSURING TOOLS MEETS THE SIDE WALLS OF PANEL
4. ROTATE TOOL TO 90 DEG TO ACHIEVE A FULL STOP END
5. ENSURE STOP END AND PANEL WALL ARE TOUCHING AND NEATLY DRESSED

ROOFING RIDGELINE STOP ENDS





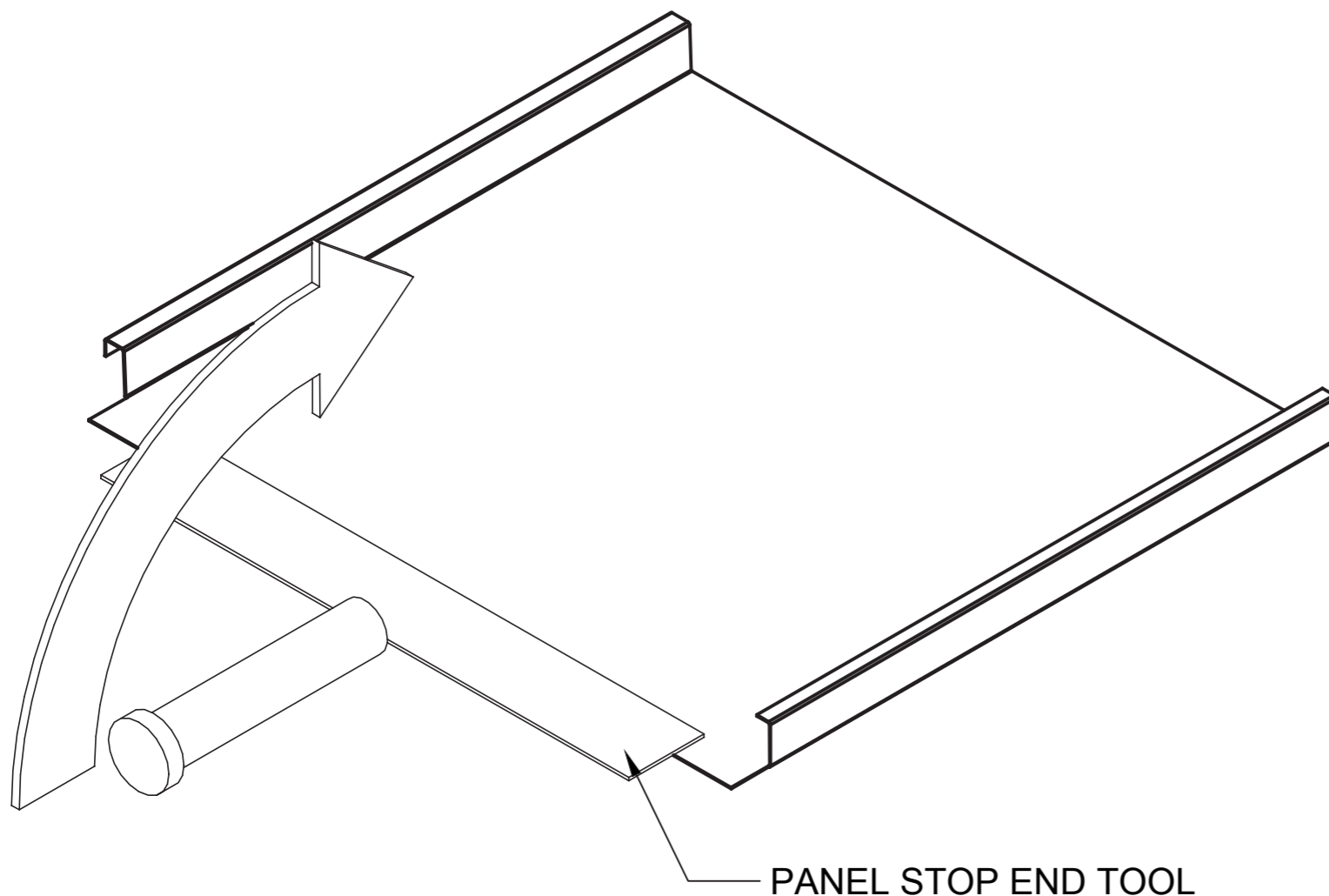
STOP END DETAIL



CUT ENDS
BACK 25mm

NOTES:

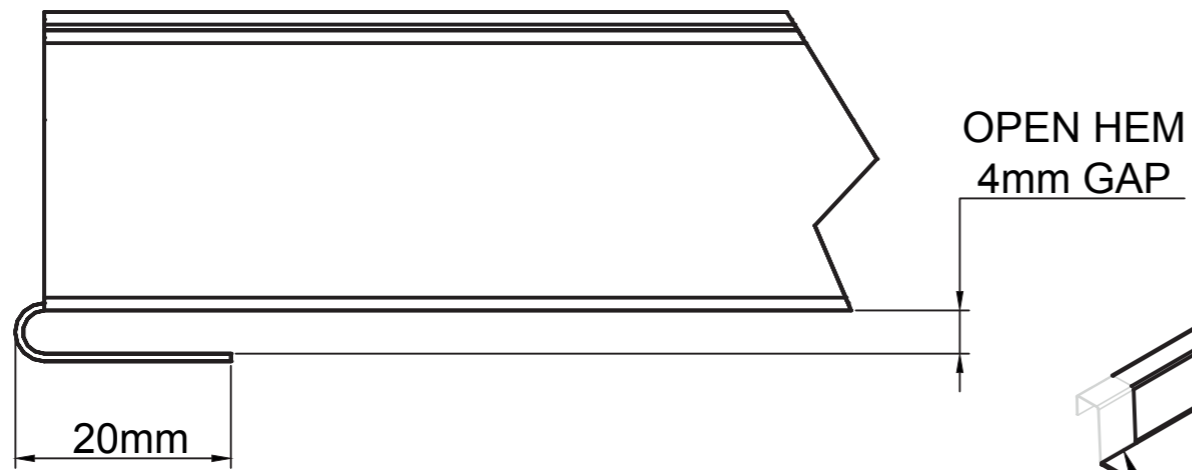
1. PANELS ARE REQUIRED TO BE ROLLED 25mm LONGER THAN REQUIRED LENGTH
2. NOTCH OUT THE OVER AND UNDER FOLD ENSURING SIDE WALLS AND PAN ARE NOT NOTCHED
3. USE PLIERS TO FOLD OUT CORNERS 40 DEG THEN FLATTEN THE FAN TO WALL JUNCTION AS MUCH AS POSSIBLE
4. INSERT APPROPRIATE TOOL TOUCHING BOTH SIDE WALLS OF THE PANEL AND ROTATE 90 DEG
5. ENSURE STOP END AND PANEL WALL ARE TOUCHING AND NEATLY FINISH CORNERS



PANEL STOP END TOOL

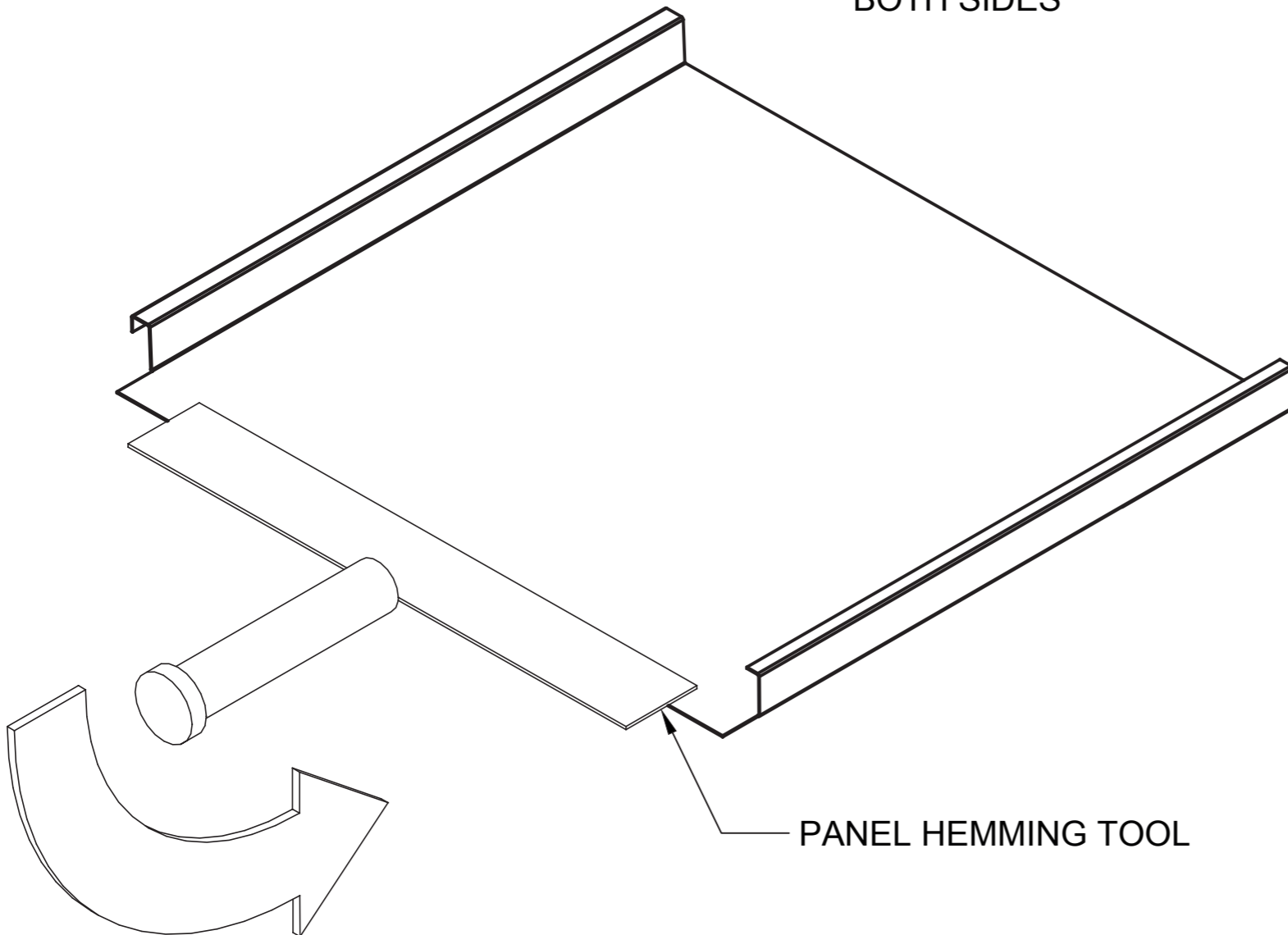
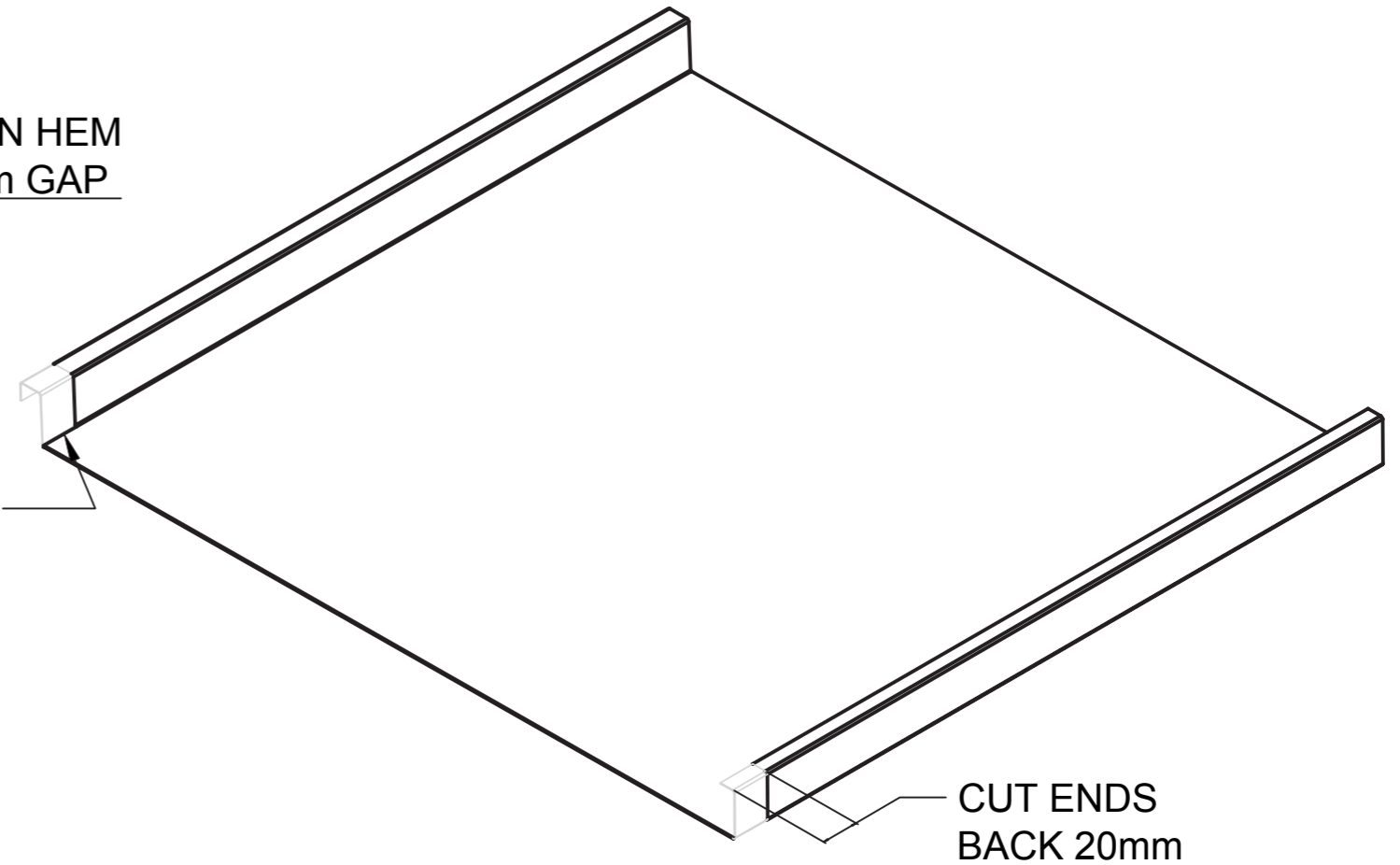
WALL CLADDING STOP ENDS





STOP END DETAIL

SLOT 20mm
WITH 1mm
CLEARANCE
BOTH SIDES

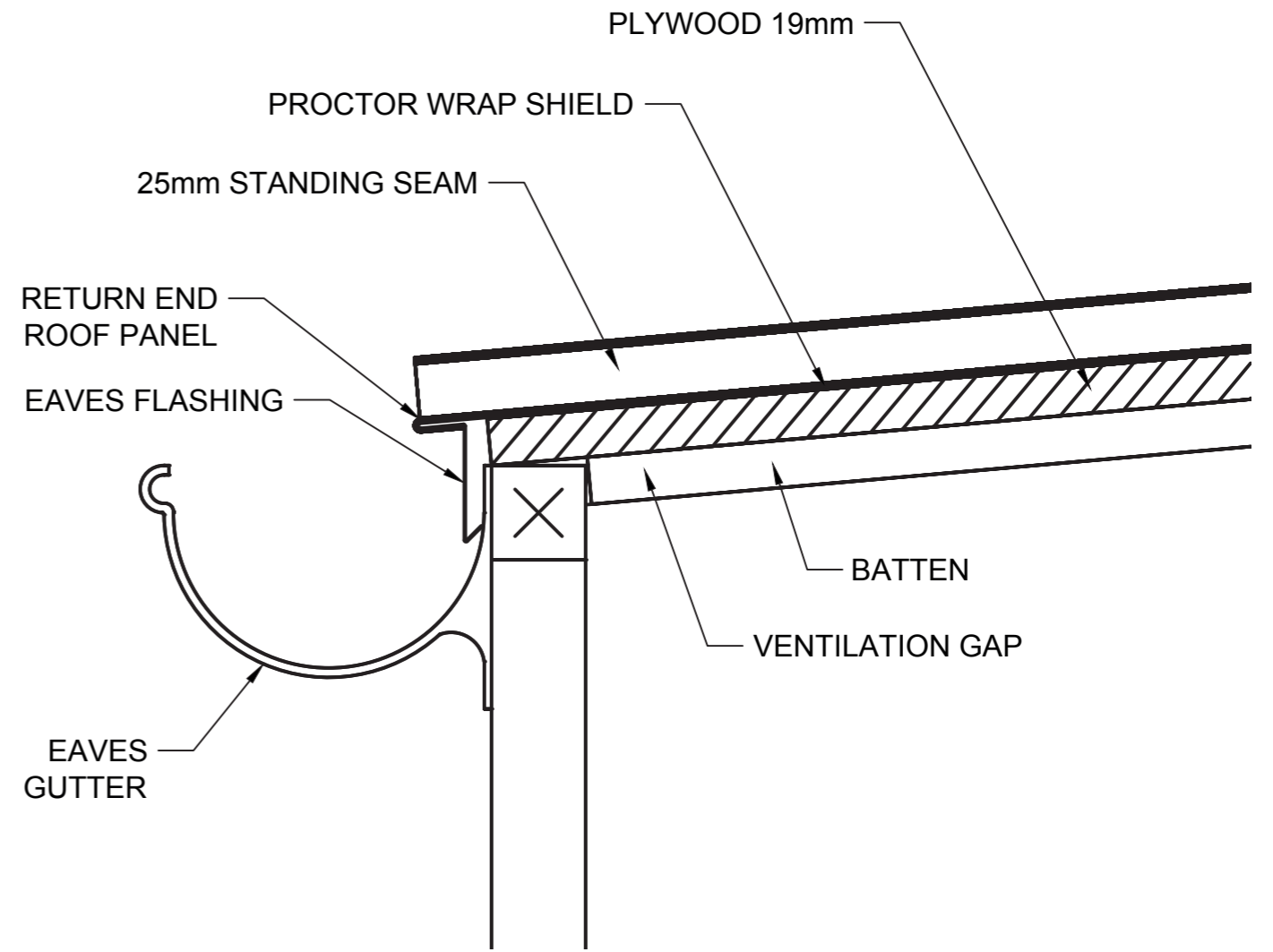
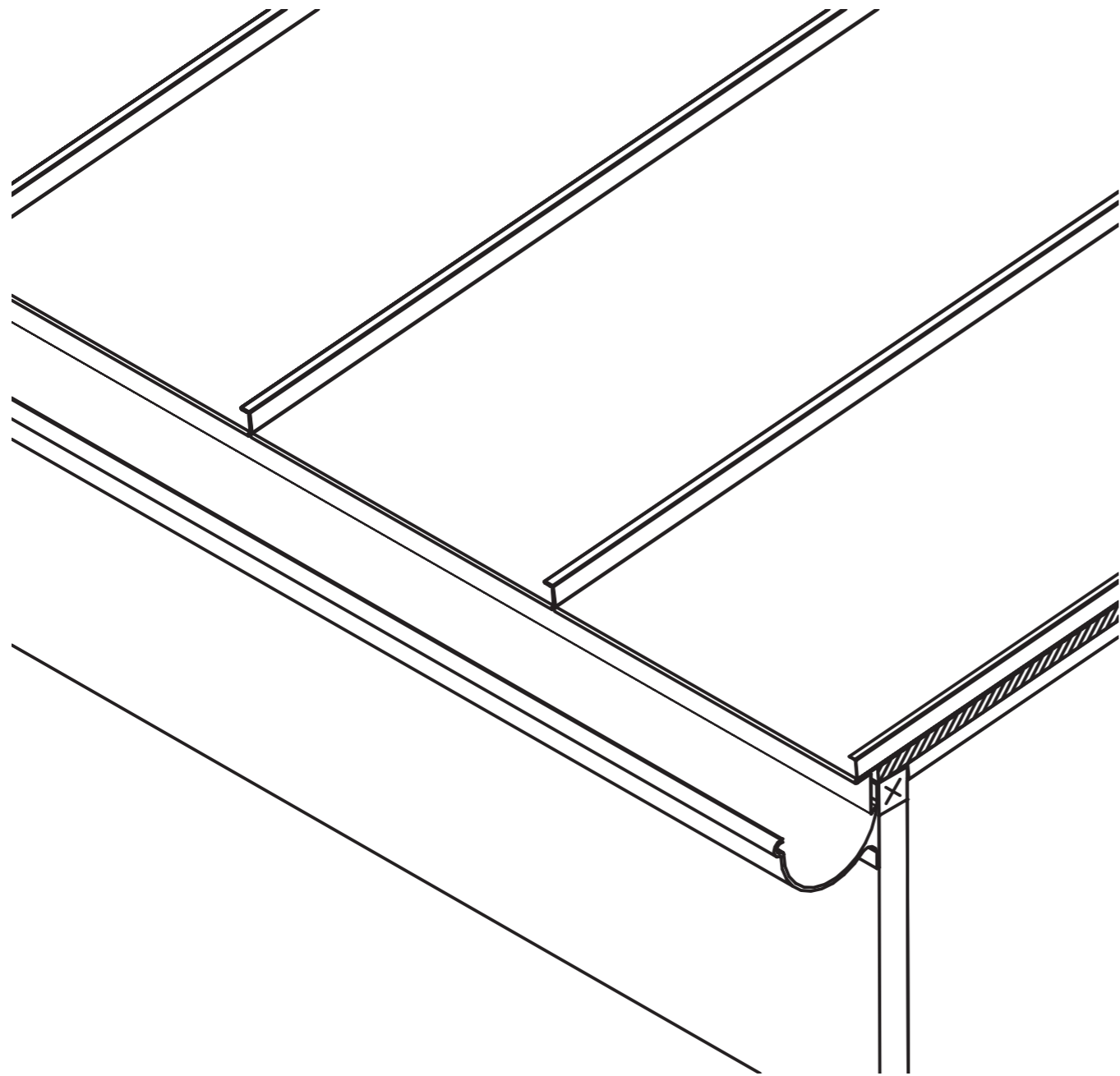


NOTES:

1. PANELS SHOULD BE 20mm LONGER THAN REQUIRED LENGTH
2. CUT BACK PANEL 20mm
3. USE CUSTOM DESIGNER RETURN TOOL TO CLAMP A NOTCHED END ROTATE 10 TO ACHIEVE A FLAT RETURN
4. IF RETURN IS NOT FOLDED TO WITHIN 4mm USE THE PALM OF YOUR HAND TO ACHIEVE DESIGNED RESULT

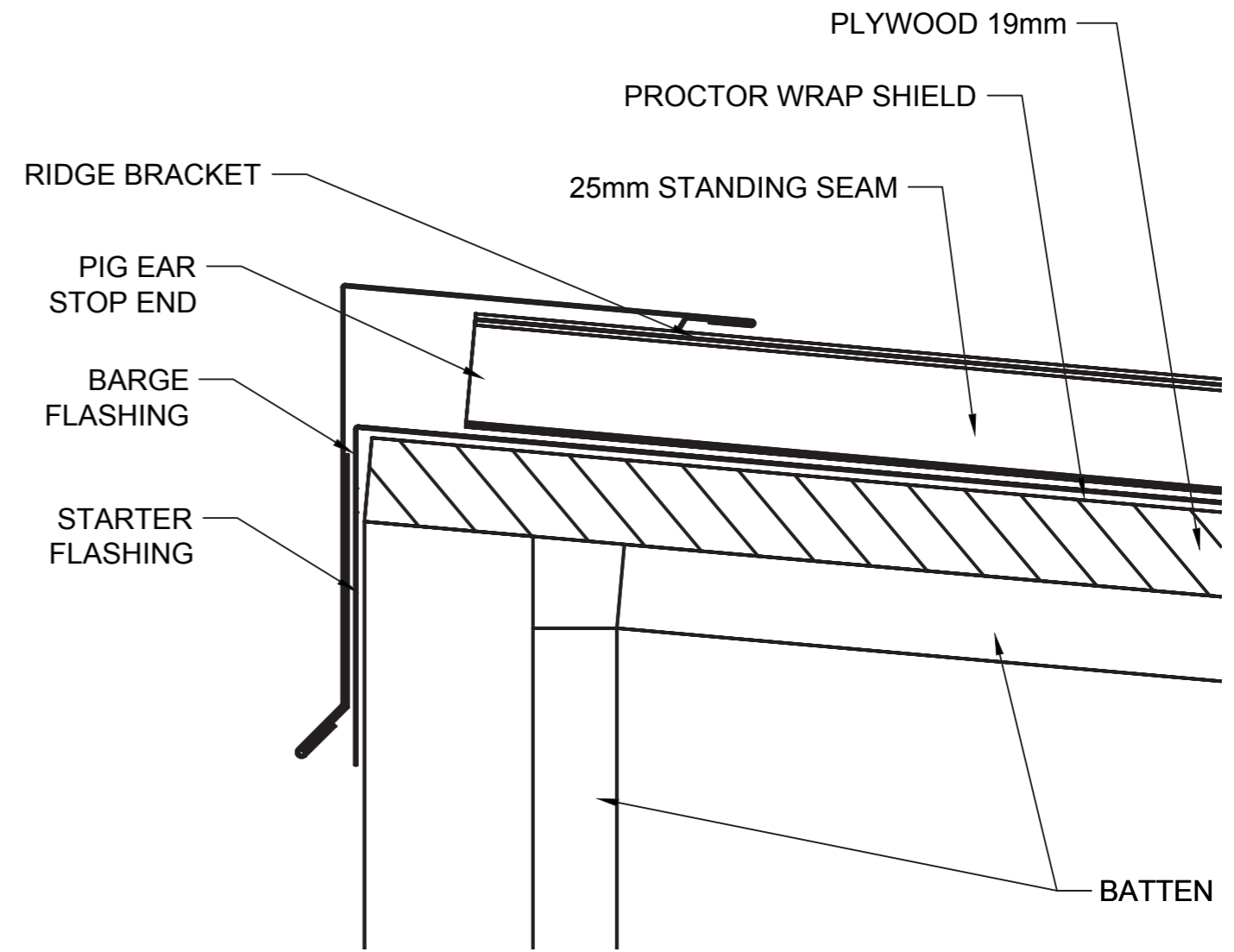
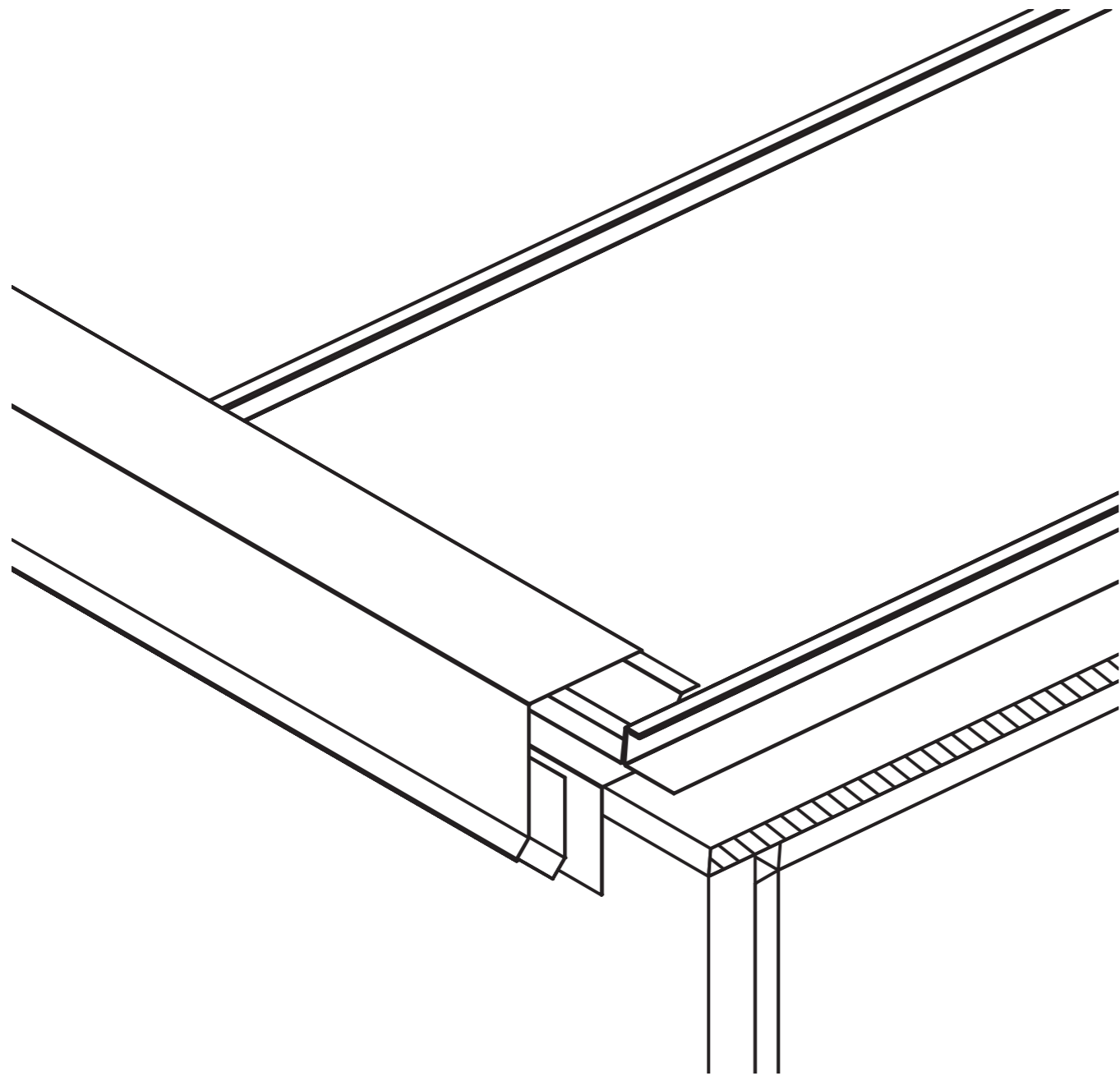
ROOF AND WALL RETURN ENDS





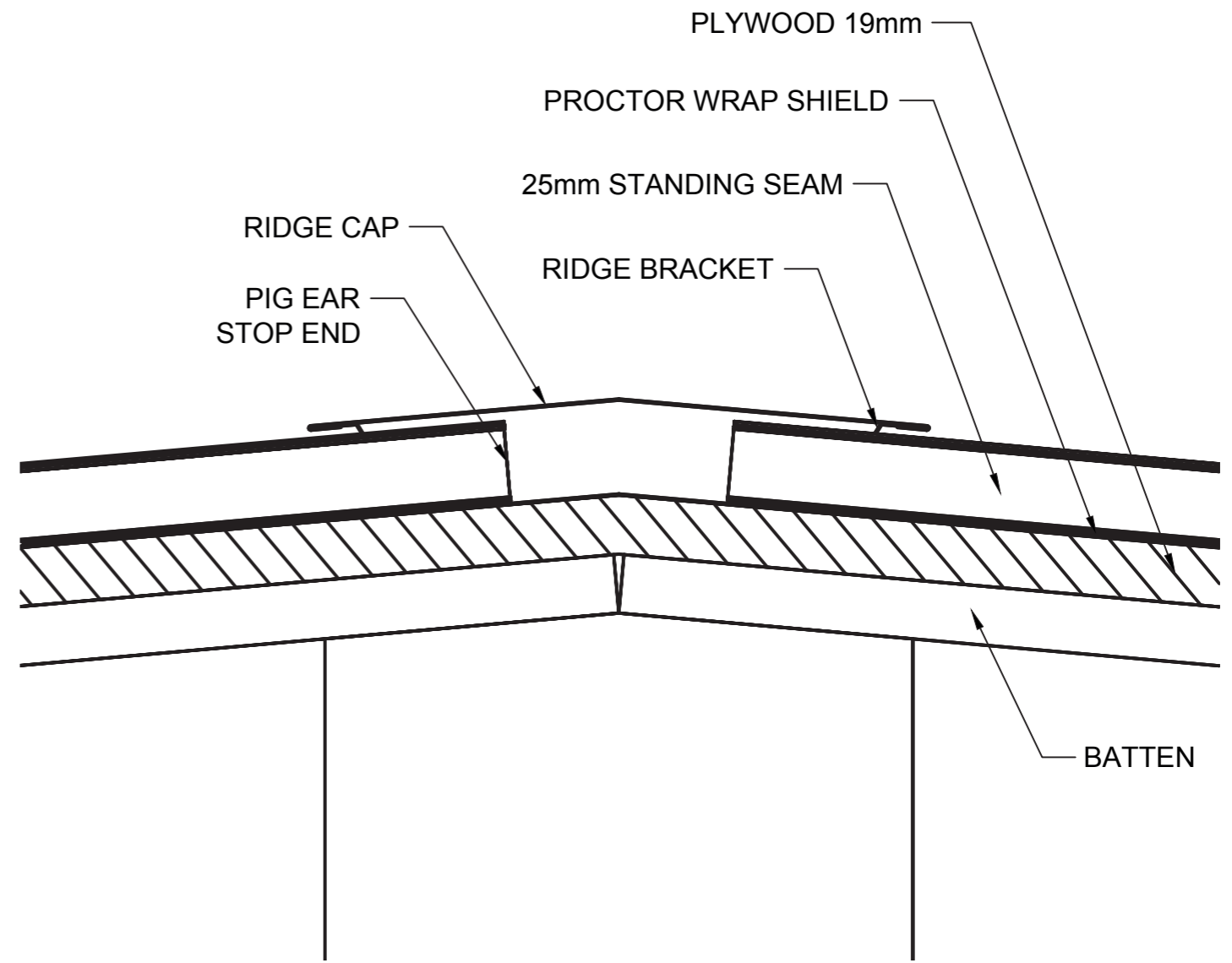
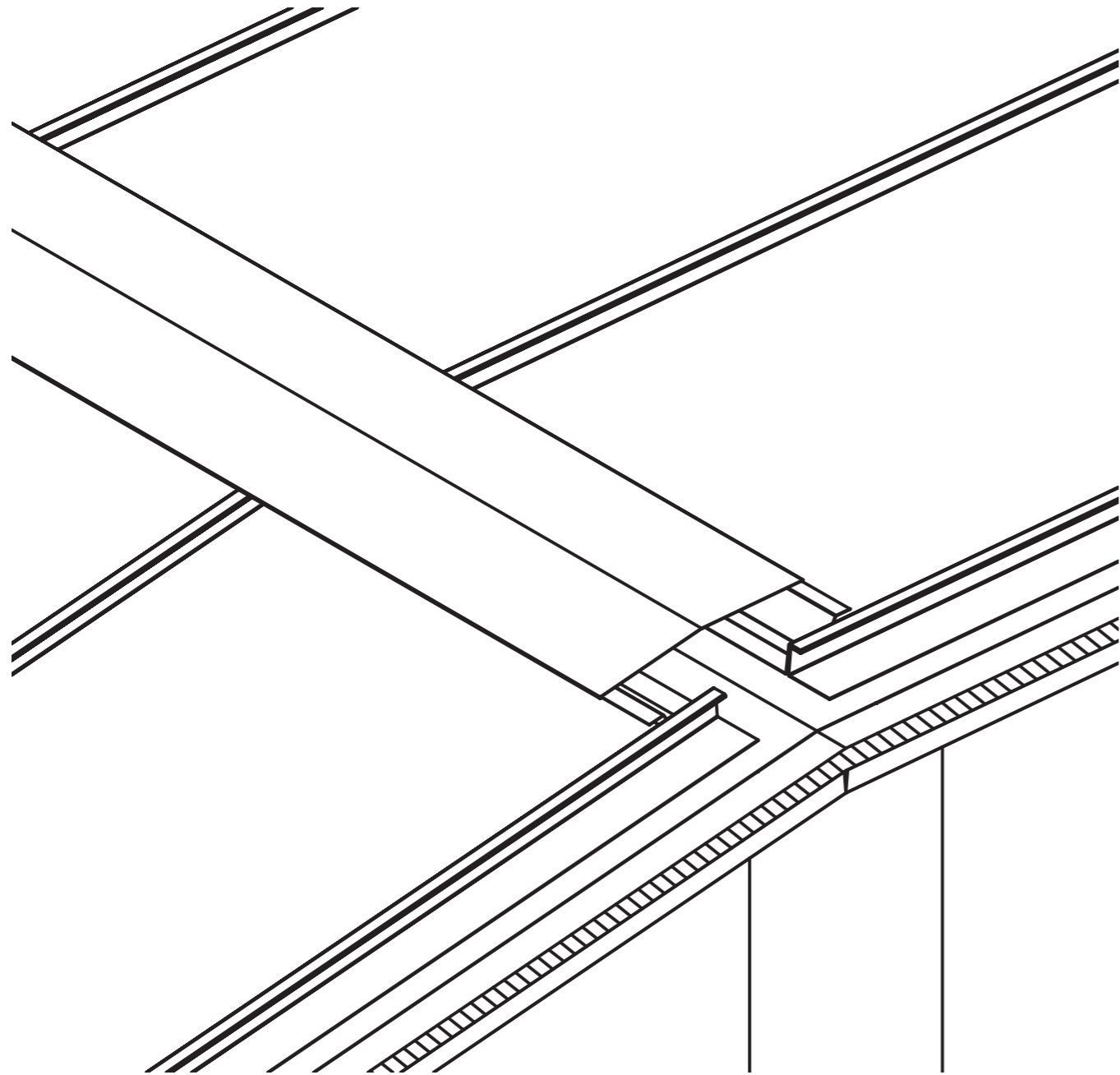
RETURN ENDS INSTALLATION





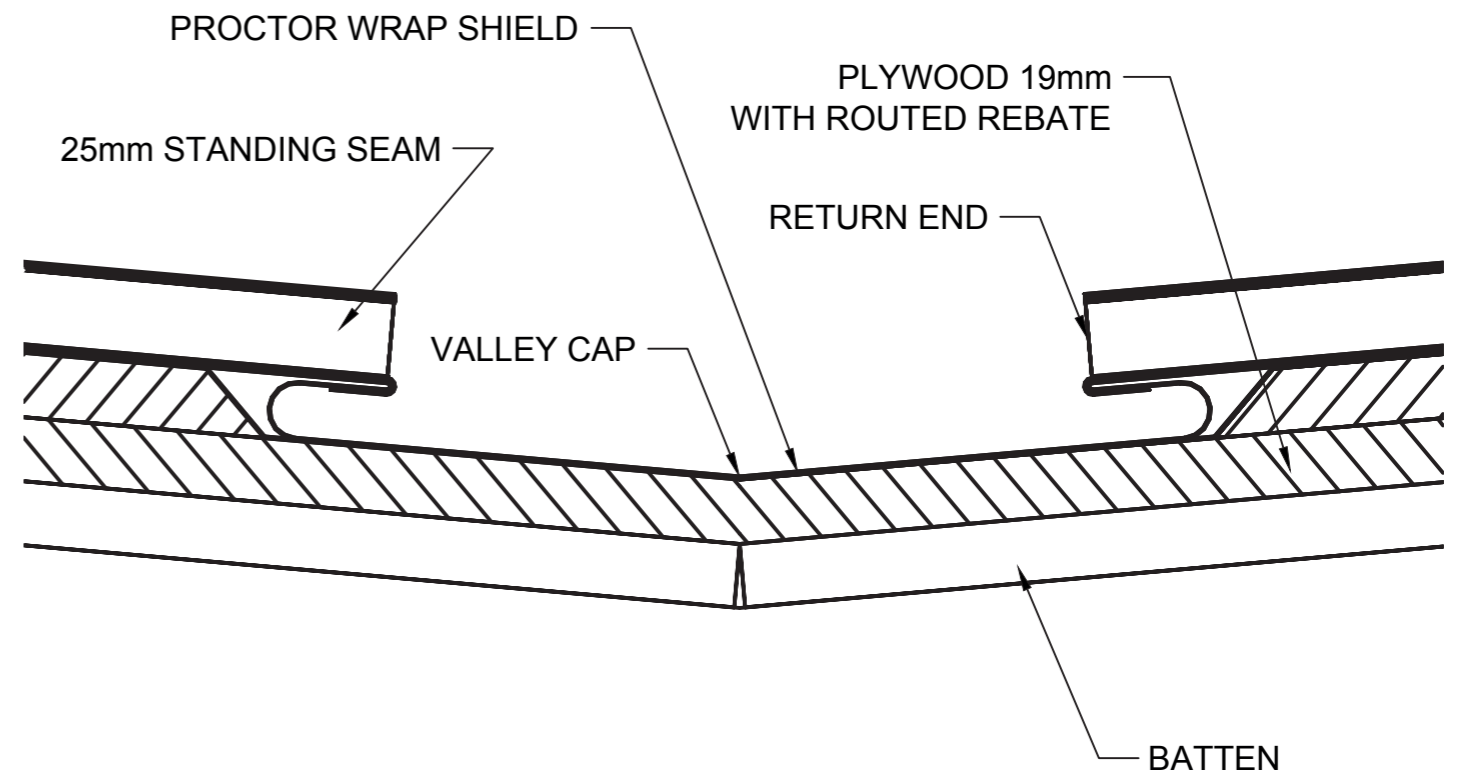
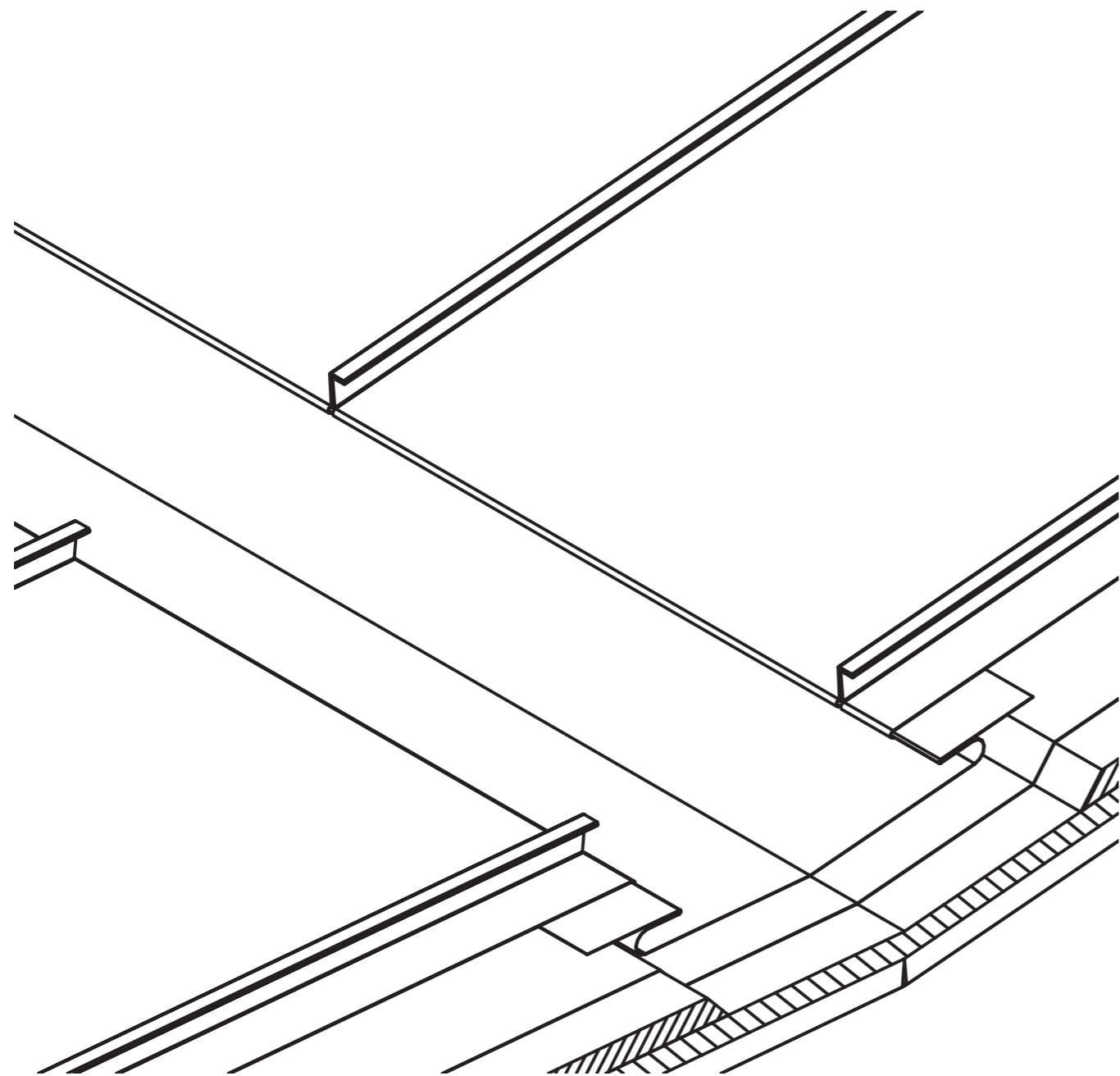
ROOFING RIDGELINE INSTALLATION





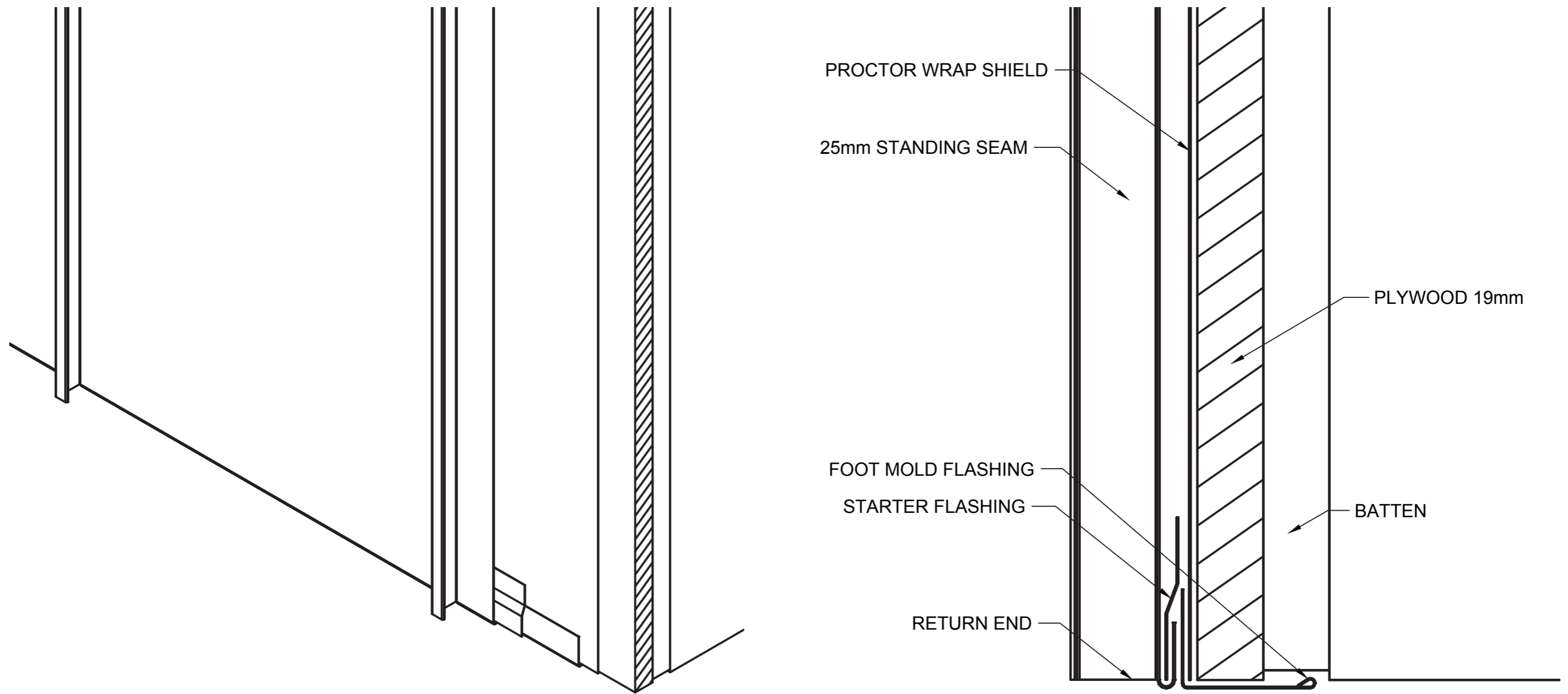
RIDGE CAPPING INSTALLATION





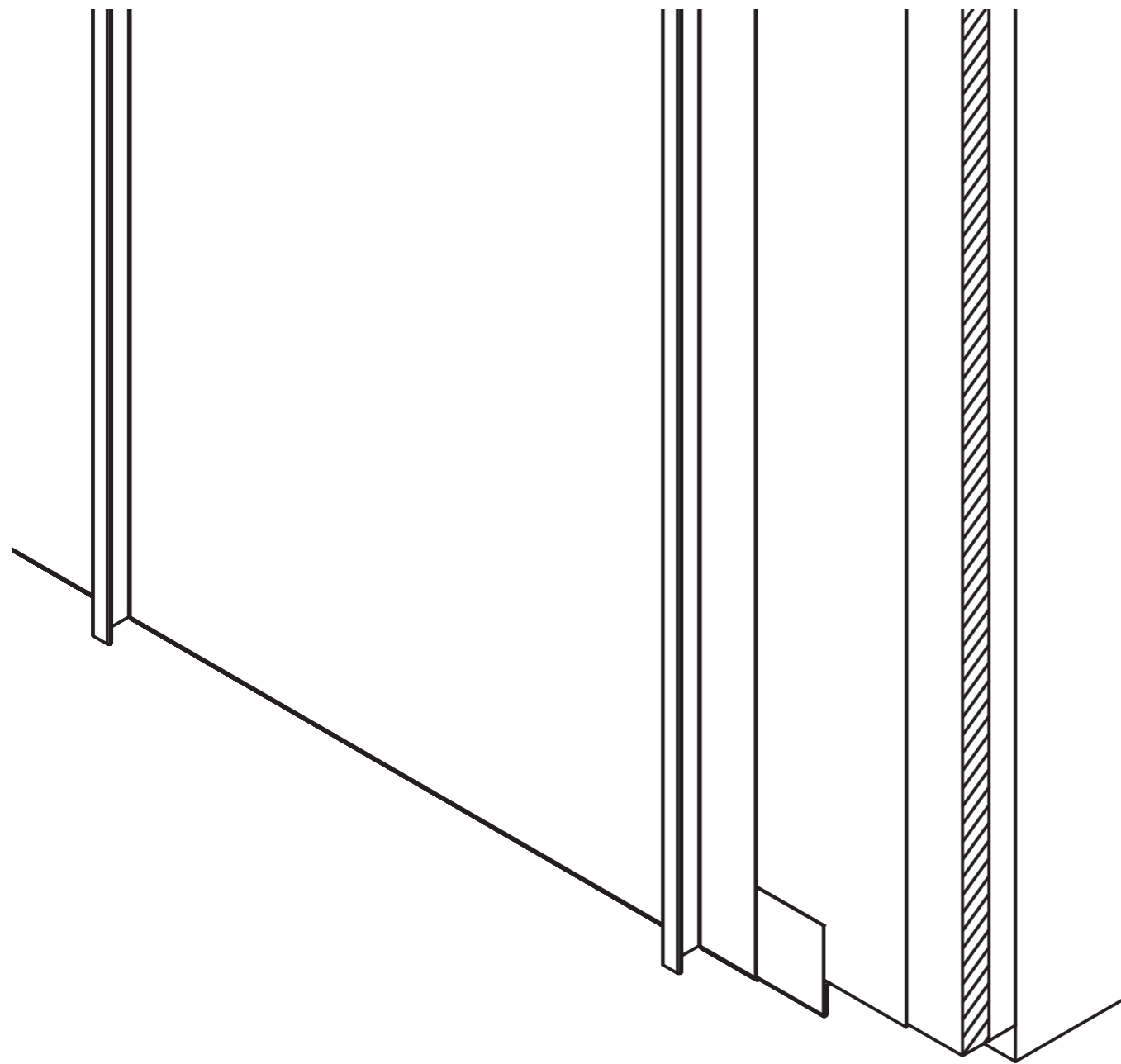
ROOFING VALLEY INSTALLATION





FOOT MOULD DETAIL FLUSH WITH PLYWOOD





PROCTOR WRAP SHIELD

25mm STANDING SEAM

FOOT MOLD FLASHING

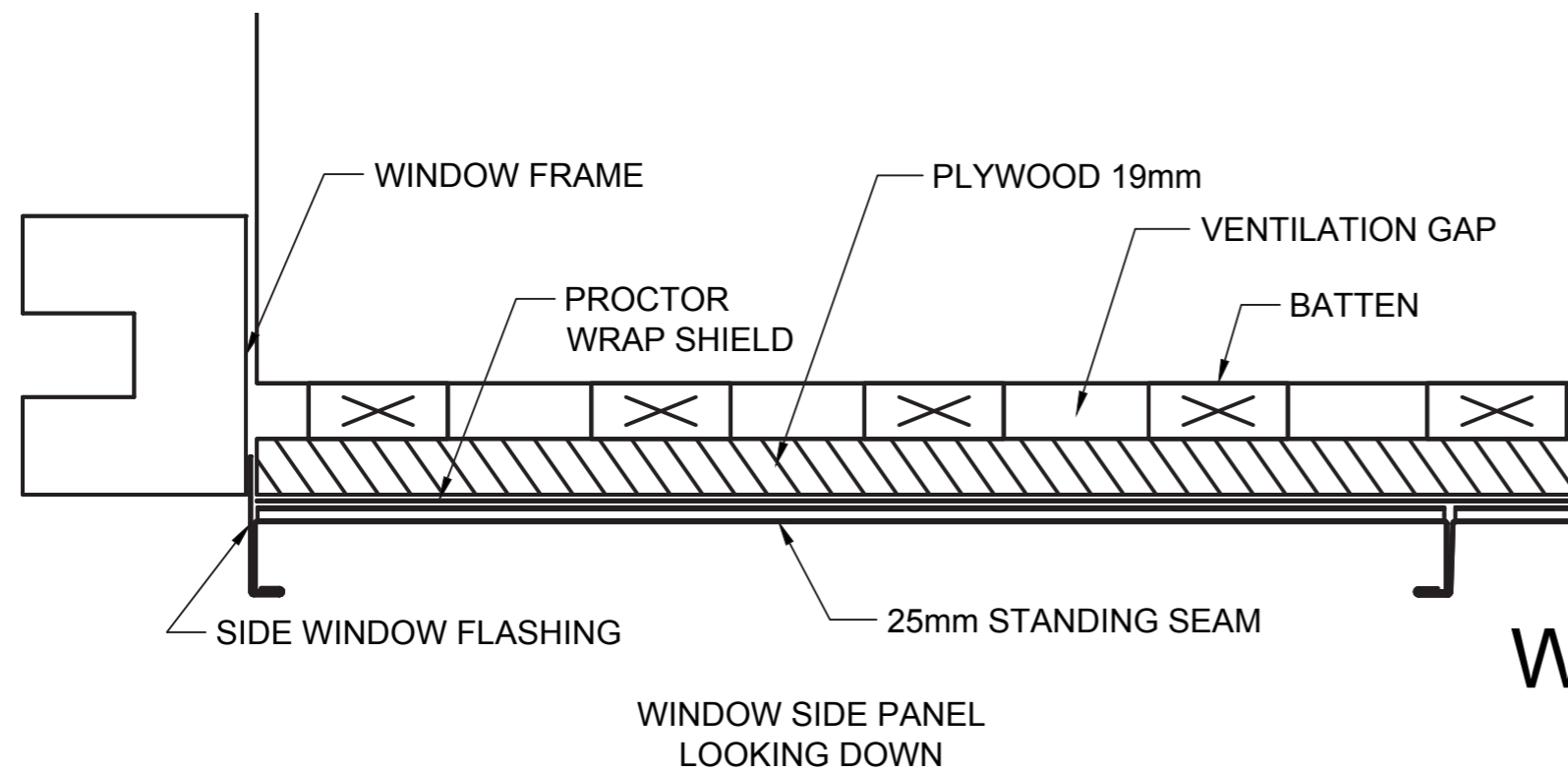
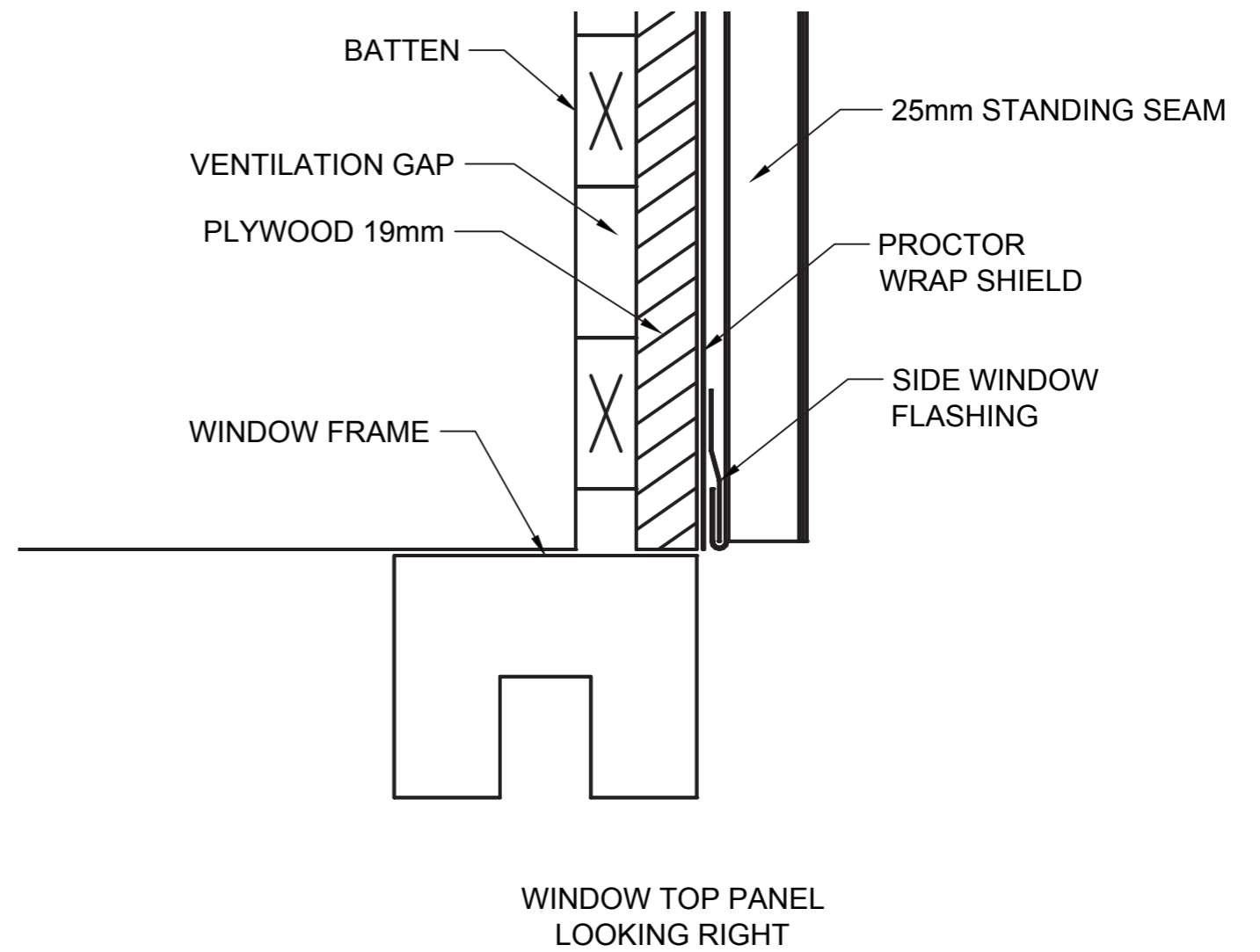
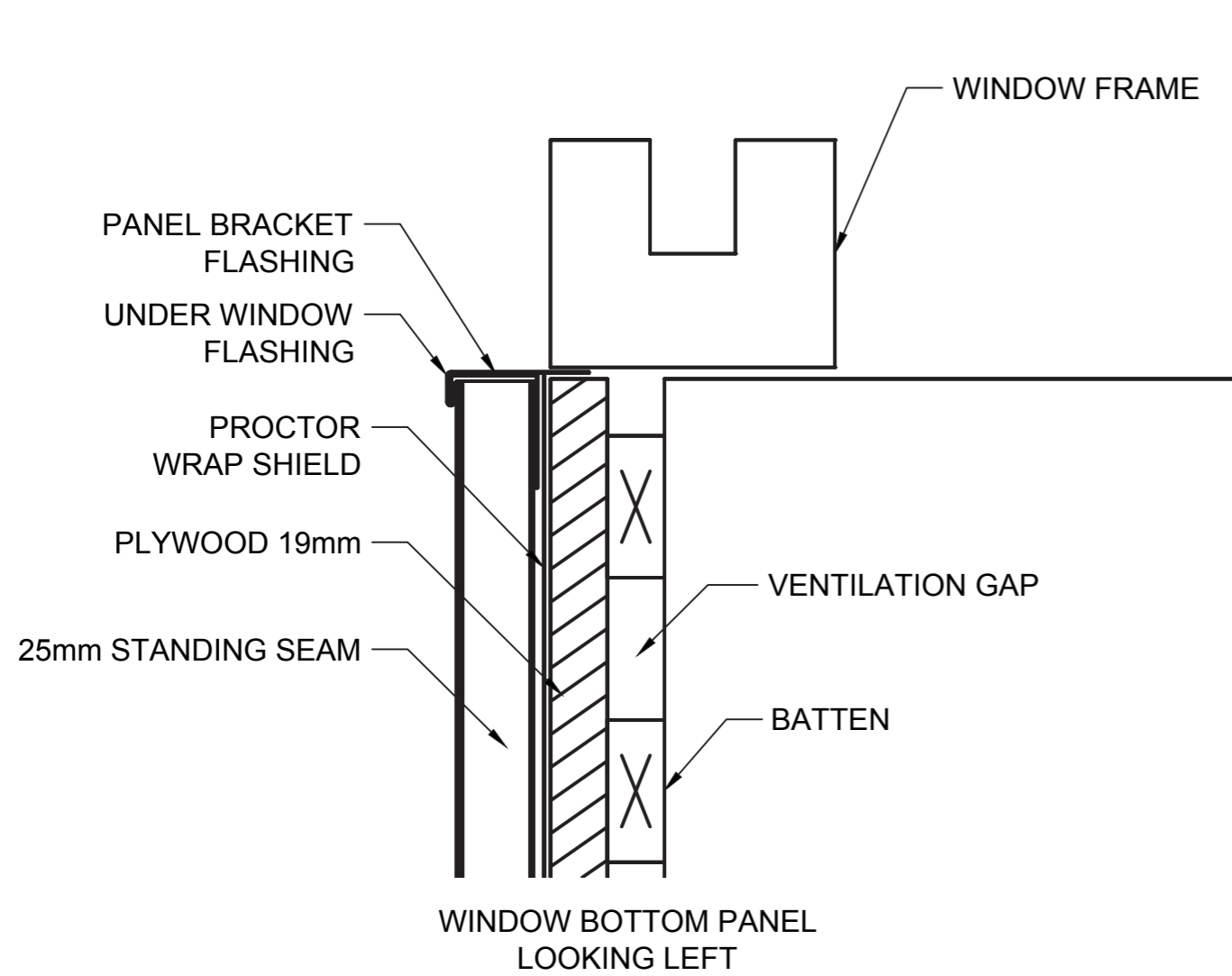
RETURN END

PLYWOOD 19mm

BATTEN

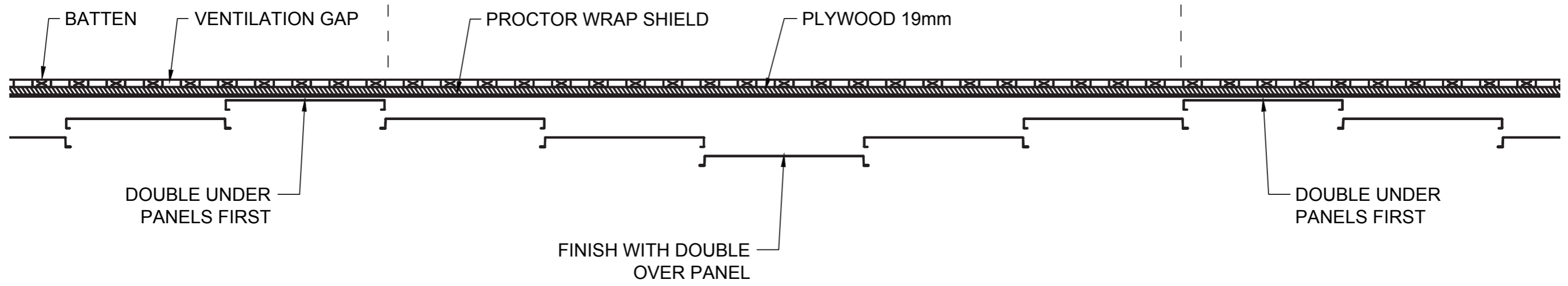
FOOT MOULD DETAIL 20 mm OVERHANG





WINDOW FRAME DETAIL



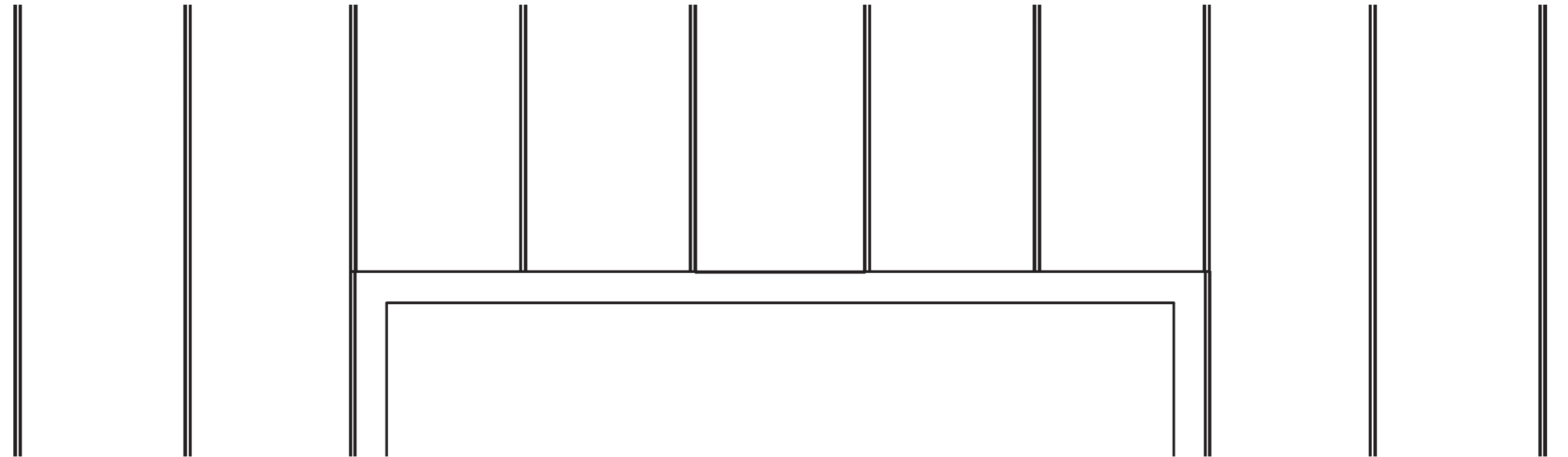


← LAY RIGHT TO LEFT FROM DOUBLE UNDER

LAY LEFT TO RIGHT FROM DOUBLE UNDER →

← LAY RIGHT TO LEFT FROM DOUBLE UNDER

LAY LEFT TO RIGHT FROM DOUBLE UNDER →



WINDOW FRAME INSTALLATION DETAIL

